

MENIOTA

NORTH AMERICA'S LUXURY FIREPLACE Installation and Operating Instructions

MODEL NO. AA-11-05550 360 FireIn DIRECT VENT GAS FIREPLACE HEATER

INSTALLER: Leave this manual with the appliance
CONSUMER: Retain this manual for future reference

INSTALLATEUR : Laissez ce manuel avec l'appareil
CONSOMMATEUR : Conservez ce manuel pour référence future

▲ WARNING: If the information in these instructions is not followed exactly, a fire or explosion may result causing property damage, personal injury, or loss of life.

▲ AVERTISSEMENT: Assurez-vous de bien suivre les instructions données dans cette notice pour réduire au minimum le risque d'incendie ou d'explosion ou pour éviter tout dommage matériel, toute blessure ou la mort.

- Do not store or use gasoline or other flammable vapors and liquids in the vicinity of this or any other appliance.

- WHAT TO DO IF YOU SMELL GAS

- Do not try to light any appliance.
- Do not touch any electrical switch; do not use any phone in your building.
- Immediately call your gas supplier from a neighbor's phone. Follow the gas supplier's instructions.
- If you cannot reach your gas supplier, call the fire department.

- Installation and service must be performed by a qualified installer, service agency or the gas supplier.

Ne pas entreposer ni utiliser d'essence ni d'autres vapeurs ou liquides inflammables dans le voisinage de cet appareil ou de tout autre appareil.

- QUE FAIRE SI VOUS SENTEZ UNE ODEUR DE GAZ:

- Ne pas tenter d'allumer d'appareil.
- Ne touchez à aucun interrupteur. Ne pas vous servir des téléphones se trouvant dans le bâtiment où vous trouvez.
- Appelez immédiatement votre fournisseur de gaz depuis un voisin. Suivez les instructions du fournisseur.
- Si vous ne pouvez rejoindre le fournisseur de gaz, appelez le service des incendies.

- L'installation et l'entretien doivent être assurés par un installateur ou un service d'entretien qualifié ou par le fournisseur de gaz.

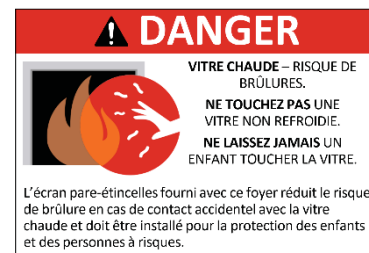
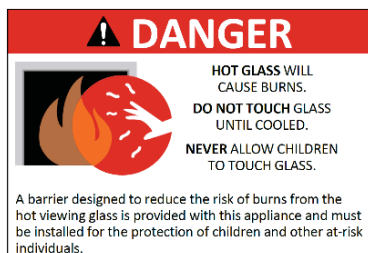
This appliance may be installed in an aftermarket, permanently located, manufactured home (USA only) or mobile home, where not prohibited by local codes.

This appliance is only for use with the type of gas indicated on the rating plate. This appliance is not convertible for use with other gasses unless a certified kit is used.

Cet appareil peut être installé dans une maison préfabriquée (É.-U. seulement) ou mobile déjà installée à demeure si les règlements locaux le permettent. Cet appareil doit être utilisé uniquement avec les types de gaz indiqués sur la plaque signalétique. Une trousse de conversion est fournie avec cet appareil.

A barrier designed to reduce the risk of burns from the hot viewing glass is provided with this appliance and must be installed.

Une barrière conçue pour réduire le risque de brûlures du verre chaud est fournie avec cet appareil et doit être installée.



1 READ ME FIRST

1.1 CAUTION STATEMENTS TO PARENTS OF YOUNG CHILDREN

If this appliance is installed in an isolated bedroom, study, or other room, always operate this appliance in thermostatic temperature-controlled mode. Do not operate in Manual mode. Doing so can lead to very high room temperatures which can be hazardous to the room occupants' health.

Do not place young children in cribs, bassinets, or the like in the vicinity of this appliance. Young children may be vulnerable to high temperatures that this appliance can create locally.

Young children should be **carefully supervised** and never left unattended when they are in the same room as the appliance. Toddlers, young children, and others may be susceptible to accidental contact burns. A physical barrier is recommended if there are at risk individuals in the house. To restrict access to an appliance or stove, install an adjustable safety gate to keep toddlers, young children, and other at-risk individuals out of the room and away from hot surfaces. This physical barrier is in addition to the required glass barrier Screen.

1.2 INITIAL FIRING AND CURING PROCEDURE

This product requires an initial heat curing cycle during which the lubricants used in the manufacturing process will burn off and the powder paint goes through a hardening cycle. During the initial curing phase, some smoke and odor will be emitted. This is normal.

The installer should perform these initial curing cycle procedures as the final step in the installation process. See chapter [3.2.1 Mendota Appliance Curing Instructions](#). Read and follow all instructions given in this Chapter and perform the 3-step curing cycle.

After the 3-step curing cycle has been completed, all smoking will have stopped. Some slight odors may remain. With subsequent use of this appliance, odors will slowly dissipate and disappear.

ODOR RISKS

If this appliance is not operated for an extended period (three months or longer), when first fired again, expect odors of burnt dust and lint; just like when turning on your home heating system for the first time in the Fall.

1.3 HOT SURFACES ARE NORMAL

Be aware that the surface in front of, above and adjacent to this heater appliance can be too hot to touch. As long as all required clearances to combustibles are met, this appliance will perform safely. Note that the exposed surfaces immediately surrounding the appliance can have surface temperatures that are too hot to touch. This level of surface temperature is considered normal and does not indicate any hazardous situation.

WARNING: The supplied barrier screen must be installed, always, when this appliance is in operation. Do not place any object directly in front (within 60") or directly above. This is a heating appliance. Areas directly in front and above this appliance will be very hot and can damage most household objects if placed too close. Keep Furniture pieces at least 60" away in front of the barrier screen.

1.4 PERIODIC AND ANNUAL CLEANING ARE REQUIRED

See [Required Periodic Inspections, Chapter 5.1](#) and [Required Annual Maintenance, Chapter 5.3](#). Periodic and Annual cleaning and general services are required at least once a year in the Summer or early Fall. Changing remote control batteries at least every 6 months is required; or more frequently based upon usage frequency. Cleaning pilot flame sensor rod, sparkler rod, and pilot hood body is required at least once per year. Cleaning of burner ports and gas orifice areas is required once a year due to insects' nesting probability due to Mercaptan addition in Natural Gas (Mercaptan attracts insects).

Table of Contents

1	READ ME FIRST	2
1.1	CAUTION STATEMENTS TO PARENTS OF YOUNG CHILDREN	2
1.2	INITIAL FIRING AND CURING PROCEDURE.....	2
1.3	HOT SURFACES ARE NORMAL	2
1.4	PERIODIC AND ANNUAL CLEANING ARE REQUIRED	2
2	GENERAL INFORMATION	5
2.1	SAFETY AND WARNING INFORMATION	5
2.1.1	Building Permit & Inspection Requirements.....	5
2.1.2	Other Cautions.....	5
2.2	SAFETY WARNINGS	6
2.2.1	Safety Standards and Warnings.....	6
2.2.1.1	Caution: Hot Appliance Warning	7
2.3	REQUIREMENTS FOR THE COMMONWEALTH OF MASS.	9
3	TECHNICAL REFERENCES	10
3.1	GENERAL TECHNICAL REFERENCES	10
3.2	KEEP THE FLUE WARM.....	10
3.2.1	Mendota Appliance Curing Instructions.....	10
3.2.1.1	Step 1: Expelling Initial Smoke and Odors	10
3.2.1.2	Step 2: High Heat Curing Cycle	11
3.2.1.3	Step 3: Final Curing Cycle	11
3.2.1.4	Additional Curing Information	11
3.3	MECHANICAL TECHNICAL REFERENCES	11
3.3.1	Selecting Appliance Location	11
3.3.2	Listing Label	12
3.3.3	Other Warning and Caution Labels.....	13
3.3.4	360 FireIn Stove Appliance Ratings Information	14
3.3.5	Appliance Dimensions.....	15
3.3.6	Appliance Features Identification	16
3.3.6.1	Convection Blower System	16
3.3.7	Clearances to Combustibles	16
3.3.7.1	Clearances to Combustible Side Walls	16
3.3.7.1.1	Horizontal Clearance Reduction by 66%.....	16
3.3.7.1.2	Horizontal Clearance Reduction by 50%.....	16
3.3.7.2	Clearances to Overhangs	17
3.3.8	Hearth Pad Requirement	17
3.4	ELECTRICAL TECHNICAL REFERENCES.....	18
3.4.1	AC Power Requirements.....	18
3.4.1.1	Planning for AC Power Connection	18
3.4.2	Backup DC Power Connection	19
3.4.3	PF2 Ignition System Diagram.....	19
3.5	PLUMBING TECHNICAL REFERENCES	20
3.5.1	Gas Supply Requirements	20
3.5.2	Gas Supply Line Sizing	20
3.5.3	Gas Pressure Requirements and Checking	21
3.5.4	Drip Leg Recommended	21
3.5.5	Manual Gas Shutoff Valve Requirement.....	21
3.5.6	Factory Installed Manual Gas Shutoff Valve	22
3.5.7	Gas Inlet Fittings Information	22
3.5.8	Gas Input Rate Verification.....	23
3.5.8.1	Natural Gas Input Rate Verification	23
3.5.8.2	LPG Input Rate Verification	23
3.5.9	High Altitude De-Rating	23
	INSTALLATION INSTRUCTIONS	24
3.6	INSTALLATION CHECKLIST	24
	CONTENTS OF THE MANUAL PACKET	25
3.7	WHAT IS NOT INCLUDED WITH THIS APPLIANCE?	25
3.8	LOGO INSTALLATION.....	25
3.9	TO REMOVE DOOR.....	26
3.10	TO REPLACE DOOR	26
3.11	NATURAL GAS TO LPG CONVERSION	27
3.11.1	Procedure to Convert Appliance for LP Gas	27
3.11.2	Pressure Regulator Conversion.....	29
3.11.3	Burner Ignition Characteristics	30
3.11.4	Pilot Flame and Burner Relationship Verification	30
3.12	VENTING.....	31
3.12.1.1	COMPONENT "TWIST-LOCK" CONNECTION PROCEDURE	31
3.12.1.2	Wall Heat Shield for Horizontal Vent Caps	31
3.12.1.3	Flue Venting Components Identification Diagrams	32
3.12.1.4	Masonry Conversion Kit	32
3.12.1.5	Exterior Vent Locations and Restrictions	33
3.12.1.6	Side by Side installation of two Vent Caps	34
3.12.1	Required Clearances to Vent Pipes	34
3.12.2	Wall Thimble Information.....	35
3.12.3	Stove Master Venting Chart	35
3.12.4	High Altitude Installation Information.....	35
3.12.5	Maximum Horizontal Run.....	36
3.12.6	Maximum Vent System Length.....	36
3.12.7	How to Calculate the Vent Lengths	36
3.12.8	Using 90° Elbows	36
3.12.9	Using 90° Elbows When the Initial Starter Vertical Section Is Less Than 4'.....	36
3.12.10	Using 45-Degree Elbows	36
3.12.11	Vent Pipe Support.....	36
3.12.12	Minimum Rise Horizontal Termination	37
3.12.13	Vertical Rise Horizontal Termination.....	38
3.12.14	Vertical Through-The Roof Venting.....	40
3.12.15	Vertical Through-The-Roof Venting Using Four 90° Elbows	42
3.12.16	Vent Damper Adjustments.....	43
3.13	LOG SET/ MEDIA INSTALLATION	43
3.14	LIGHTING CHECKLIST	43
3.15	AIR SHUTTER CONTROL AND FLAME APPEARANCE	44
4	HOMEOWNER INFORMATION	44
4.1	AESTHETIC CONSIDERATIONS	44
4.2	HEATING PERFORMANCE	44
4.3	IMPORTANT INFORMATION FOR HOMEOWNER	44

4.4 OPERATING INFORMATION.....	45		
4.4.1 Using Your Remote Control.....	45		
4.4.2 Synchronizing the Appliance and Remote Control.....	45		
4.4.3 Remote Control Functions.....	46		
4.5 REMOTE CONTROL OPERATING INSTRUCTIONS	47		
4.5.1 To Turn on the Appliance.....	47		
4.5.2 To Turn off the Appliance.....	47		
4.5.3 Understanding Your Remote-Control Icons.....	47		
4.5.4 Icon Details	48		
4.6 IPI AND PILOT ON DEMAND MODES	49		
4.6.1 Setting to IPI or CPI mode	49		
4.7 HOW TO CHANGE FROM CELSIUS TO FAHRENHEIT?	49		
4.8 FIRST TIME LIGHTING INSTRUCTIONS	50		
4.8.1 Safety Information.....	50		
4.9 OPERATING INSTRUCTIONS	50		
4.10 TO TURN OFF GAS TO APPLIANCE.....	50		
4.11 FREQUENTLY ASKED QUESTIONS.....	51		
4.11.1 What to do if I smell gas?	51		
4.11.2 Where can I find the model and serial numbers?.....	51		
4.11.3 Can I use my Appliance during power outages?	52		
4.11.4 What maintenance is required?.....	52		
4.11.4.1 Required Annual Maintenance	52		
4.11.4.2 Periodic Inspection	53		
4.11.5 How do I clean the viewing glass?	53		
4.11.6 Is my flame performance correct?.....	53		
4.11.7 What should I do if my appliance is sooting?.....	53		
4.11.8 How do I change from Celsius to Fahrenheit?.....	53		
4.11.9 When do I change batteries in my remote?.....	54		
4.11.10 How do I set the child-lock mode?.....	54		
4.11.11 Thermostat icon disappeared from my remote.....	54		
4.11.12 Why won't my appliance turn on?	54		
4.11.13 What happens when I first light my appliance?.....	54		
5 MAINTENANCE INFORMATION	55		
5.1 REQUIRED PERIODIC INSPECTIONS.....	55		
5.2 CLEANING VIEWING GLASS	55		
5.3 REQUIRED ANNUAL MAINTENANCE	55		
5.4 OVER FIRING OR UNDER FIRING OF BURNER	56		
5.5 IGNITION SYSTEM LOCKOUT MODE AND RE-LIGHTING... 	56		
5.6 BURNER FLAME HEIGHTS REFERENCE DIAGRAM	56		
5.7 REPLACEMENT PARTS INFORMATION	57		
5.7.1 How to Access Components.....	57		
5.7.2 Convection Air Blower System Parts.....	57		
5.7.3 Gas Train Assembly Parts	58		
5.7.4 Burners	58		
5.7.5 Exterior	59		
5.7.6 Glass Frame Parts Replacement Procedure.....	60		
6 WARRANTY QUALIFICATION AND SERVICE ...	61		
6.1 FINAL INSTALLATION AND HOMEOWNER			
CHECKLIST.....	62		
6.2 WARRANTY POLICY STATEMENT	63		
6.2.1 Conditions	64		
6.2.2 Exclusions.....	64		
6.2.3 Limitations of Liability	65		
6.2.4 How to Obtain Warranty Service	65		

2 GENERAL INFORMATION

2.1 SAFETY AND WARNING INFORMATION

2.1.1 Building Permit & Inspection Requirements

All installations of Mendota appliances must comply with all the requirements stated in this Installation and Operating Manual. The dealer and/or installer must obtain all required building permits and inspection approvals from the local building inspection department or the local jurisdiction. To validate warranty coverage, Mendota may require facsimile copies of the building permit and inspection approval forms. Failure to provide adequate proof that the installation conforms to all local requirements and the requirements stated in the Installation and User Manual will void all applicable warranties.

2.1.2 Other Cautions

This appliance is not intended for outdoor installation. The appliance must be installed where it is fully protected from all precipitation, excessive moisture, and the ambient temperature remains between 32°F to 110°F. Failure to install the appliance in an area that meets these requirements will void all applicable warranties.

CAUTION: Each installation must conform to all local, state and national codes. Refer to the national fuel gas code and local zoning and code authorities for details on installation requirements. The Mendota Fireplace must be vented to the outside in accordance with the latest edition of the National Fuel Gas Code. In the absence of local codes, the installation must conform to the most current edition of the National Fuel Gas Code ANSI Z223.1/NFPA 54 or the Natural Gas and Propane Installation Code, CSA B149.1

CAUTION: The Mendota appliance may be installed in a manufactured (mobile) home after the first sale of the home. Manufactured home (mobile home) installation must conform with the Manufactured Home Construction and Safety Standard, Title 24 CFR, Part 3280, or, when such a standard is not applicable, the Standard for Manufactured Home Installations, ANSI A225.1/NFPA 501A, or CSA Z240.4-Gas Equipped Mobile Housing. Consult your local building official. NOTE: For mobile home installations, unit must be bolted to the Manufactured home floor and properly grounded.

**NATIONAL
FIREPLACE
INSTITUTE®**



CERTIFIED
www.nficertified.org

**We recommend that our gas
Hearth products be installed
and serviced by profes-
sionals who are certified in
the U.S. by the National
Fireplace Institute® (NFI) as
NFI Gas Specialists.**

INSTALLER: Leave this manual with the appliance. **CONSUMER:** Retain this manual for future reference.

INSTALLATEUR : Laissez cette notice avec l'appareil. **CONSOMMATEUR :** Conservez cette notice pour consultation ultérieure.

2.2 SAFETY WARNINGS

HIGH-ALTITUDE INSTALLATION INFORMATION: Prior to installing at altitudes higher than 7,500 ft., understand the need for gas input derating. Contact your local gas company to see if your gas type is already derated for your altitude or contact Mendota Technical Service for support.

INSTALLER NOTE: These instructions are to remain with homeowner.

Be sure to read and understand all instructions carefully before starting the appliance. Failure to follow these instructions may result in a possible fire hazard leading to property loss, injury or even death and will void all warranty.

FOR YOUR SAFETY: A qualified installer, service agency, or the gas supplier must perform installation and service. Do not store or use gasoline or other flammable vapors and liquids in the vicinity of this or any other appliance.
WARNING: Do not operate this appliance with the glass removed, cracked, or broken. A licensed or qualified person should do replacement of glass.

In the Commonwealth of Massachusetts:
Installation must be performed by a licensed plumber or gas fitter; a CO detector shall be installed in the room where the appliance is installed.

WARNING: Improper installation, adjustment, alteration, service, or maintenance can cause injury or property damage. Refer to this manual. For assistance or additional information consult a qualified installer, service agency or the gas supplier.

This appliance may be installed in an aftermarket, permanently located, manufactured (mobile) home (USA Only), where not prohibited by local codes. This appliance is only for use with the type(s) of gas indicated on the rating plate. This appliance is not convertible for use with other gases unless a certified conversion kit is used.

2.2.1 Safety Standards and Warnings

Do not operate this appliance with the glass removed, cracked, or broken. Only glass doors certified with this appliance shall be used.

A barrier designed to reduce the risk of burns from the hot viewing glass is provided with this appliance and must be installed for the protection of children and other at-risk individuals. If the barrier becomes damaged, the barrier shall be replaced with the manufacturer's barrier for this appliance.

Any barrier screen or guard removed for servicing must be replaced before operating appliance.

This unit is not for use with solid fuel.

Installation and repair should be **performed** by a qualified service person. The appliance and venting system should be **inspected** before initial use and at least annually by a professional service person. More frequent cleaning may be required due to excessive lint from carpeting, bedding, material, etc. It is imperative that the unit's control compartment, burners and circulating air passageways are **kept clean** to provide adequate combustion and ventilation air.

Always keep the appliance clear and free from combustible materials, gasoline, and other flammable vapors and liquids.

Never obstruct the flow of combustion and ventilation air. Keep the front of the appliance clear of all obstacles and materials for servicing and proper operation. Use only Mendota approved screens, fronts, and trim kits.

Due to high temperature, the appliance **should be located out of traffic areas** and away from furniture and draperies.

Clothing or flammable material should not be placed on or near the appliance.

Children and adults should be **alerted** to the hazards of high surface temperature and should **stay away** to avoid burns or clothing ignition. The door glass, surrounding walls and objects can be too hot to touch.

Young children should be **carefully supervised** when they are in the same room as the appliance. Toddlers, young children, and others may be susceptible to accidental contact burns. A physical barrier is recommended if there are at risk individuals in the house. To restrict access to an appliance or stove, install

an adjustable safety gate to keep toddlers, young children, and other at-risk individuals out of the room and away from hot surfaces. This physical barrier is in addition to the required glass barrier screen.

These units **must** use one of the vent systems described in the Flue Venting section of this manual.

This gas appliance and vent system **must** be vented directly to the outside and **must never** be attached to a chimney serving a separate solid fuel-burning appliance. Each gas appliance **must use** a separate vent system. Common vent systems are **prohibited**.

The vent system for this appliance must be periodically examined by a qualified service agency to maintain venting performance and safety. If the vent-air intake system is disassembled for any reason, reinstall per the instructions provided for the initial installation.

Inspect the external vent cap on a regular basis (monthly) to make sure that no debris is interfering with the airflow. The flow of combustion and ventilation air are not to be obstructed.

Do not abuse the glass door assembly by striking the glass, slamming the door shut, etc.

Use only authorized parts and materials obtained from Mendota Hearth when replacing defective or damaged glass, log sets, media, firebox inner liners or trim kits.

Do not use abrasive cleaners on the glass door assembly. Do not attempt to clean the glass door when it is hot. Use Mendota recommended cleaner, KelKem.

Turn off the gas before servicing this appliance. It is recommended that a qualified service technician perform a appliance check-up at the beginning of each heating season.

Do not place furniture or any other combustible household objects within 60" of the appliance front, per fire safety code.

This vented gas fireplace heater is not for use with air filters.

Keep the burner and control compartment clean. See installation and operating instructions accompanying the appliance.

WARNING: Improper installation, adjustment, alteration, service, or maintenance can cause injury or property damage. Refer to the owner's information manual provided with this appliance. For assistance or additional information consult a qualified installer, service agency or the gas supplier.

Do not use this appliance if any part has been under water. Immediately call a qualified service technician to inspect the appliance and to replace any part of the control system and any gas control which has been underwater.

Do not use any fronts or doors with this appliance unless they are certified by Mendota and installed by a certified installer.

2.2.1.1 Caution: Hot Appliance Warning

1. High Temperature Alert: This appliance operates at high temperatures. Avoid contact with hot surfaces to prevent burns or injury.
2. Handle with Care: Use caution when handling this appliance, especially when in use. Allow it to cool down completely before touching any surfaces.
3. Keep Away from Children and Pets: Do not allow children or pets near the appliance while in use or cooling down. Serious burns can occur from accidental contact.
4. Use Protective Gear: Wear appropriate protective gear such as oven mitts or heat-resistant gloves when operating or handling this appliance.
5. Avoid Water Contact: Do not pour water or any liquid onto the appliance. Doing so can cause damage, electrical shock, or even fire.
6. Keep Clear of Flammable Materials: Do not place flammable materials near the appliance while in use. Keep a safe distance to prevent fire hazards.

7. Read Instruction Manual: Familiarize yourself with this instruction manual before using the appliance to ensure safe and proper operation.
8. Do Not Modify: Do not attempt to modify or alter the appliance in any way. Contact a qualified technician for repairs or maintenance.
9. Emergency Procedure: In case of fire or malfunction, immediately unplug the appliance and contact emergency services.

2.3 REQUIREMENTS FOR THE COMMONWEALTH OF MASS.

The information in this section applies to all installations performed in the Commonwealth of Massachusetts only.

- a. For all side wall, horizontally vented gas fueled equipment installed in every dwelling, building or structure used in whole or in part for residential purposes and where the side wall exhaust vent termination is less than seven (7) feet above grade, the following requirements shall be satisfied:
 1. If there is no carbon monoxide detector with an alarm already installed in compliance with the most current edition of NFPA 720, NFPA 70 and the Massachusetts State Building code in the residential unit served by the side wall horizontally vented gas fueled equipment, a battery-operated carbon monoxide detector with an alarm shall be installed in compliance with the most current edition of NFPA 720, NFPA 70 and the Massachusetts State Building Code.
 2. In addition to the above requirements, if there is not one already present, a carbon monoxide detector with an alarm and a battery backup shall be installed and located in accordance with the installation requirements supplied with the detector on the floor level where the gas equipment is installed. The carbon monoxide detector with an alarm shall comply with 527 CMR, ANSI/UL 2034 Standards or CSA 6.19 and the most current edition of NFPA 720. In the event that the requirements of this subdivision cannot be met at the time of the completion of the installation of the equipment, the installer shall have a period of thirty (30) days to comply with this requirement; provided, however, that during said thirty (30) day period, a battery-operated carbon monoxide detector with an alarm shall be installed in compliance with the most current edition of NFPA 720, NFPA 70 and the Massachusetts State Building Code. In the event that the horizontally vented gas fueled equipment is installed in a crawl space or an attic, the carbon monoxide detector may be installed on the next adjacent habitable floor level. Such detector may be a battery-operated carbon monoxide detector with an alarm and shall be installed in compliance with the most current edition of NFPA 720, NFPA 70 and the Massachusetts State Building Code.
 3. A metal or plastic identification plate shall be permanently mounted to the exterior of the building at a minimum height of eight (8) feet above grade directly in line with the exhaust vent terminal for the horizontally vented gas fueled heating appliance or equipment. The sign shall read, in print size no less than one-half (1/2)" in size, "GAS VENT DIRECTLY BELOW, KEEP CLEAR OF ALL OBSTRUCTIONS"
 4. A final inspection by the state or local gas inspector of the side wall horizontally vented equipment shall not be performed until proof is provided that the state or local electrical inspector having jurisdiction has granted a permit for installation of carbon monoxide detectors and alarms as required above.
- b. EXEMPTIONS: The following equipment is exempt from 248 CMR 5.08(2) (a) 1 through 4:
 1. The equipment listed in Chapter 10 entitled "Equipment Not Required To Be Vented" in the most current edition of NFPA 54 as adopted by the Board; and
 2. Product Approved side wall horizontally vented gas fueled equipment installed in a room or structure separate from the dwelling, building or structure used in whole or in part for residential purposes.
- c. When the manufacturer of Product Approved side wall horizontally vented gas equipment provides a venting system design or venting system components with the equipment, the instructions for installation of the equipment and the venting system shall include:
 1. A complete parts list for the venting system design or venting system; and
 2. Detailed instructions for the installation of the venting system design or the venting system components.
- d. When the manufacturer of a Product Approved side wall horizontally vented gas fueled equipment does not provide the parts for venting the flue gases, but identifies "special venting systems", the following shall be satisfied:
 1. The referenced "special venting system" instructions shall be included with the appliance or equipment installation instructions; and
 2. The "special venting systems" shall be Product Approved by the Board, and the instructions for that system shall include a parts list and detailed installation instructions.
- e. A copy of all installation instructions for all Product Approved side wall horizontally vented gas fueled equipment, all venting instructions, all parts lists for venting instructions, and/or all venting design instructions shall remain with the appliance or equipment at the completion of the installation

3 TECHNICAL REFERENCES

Read and understand all information provided under this section before you begin the installation of this product. Failure to follow all technical reference information, use of components or parts not approved, or use of improper installation procedures can lead to a fire or explosion causing property damage, personal injury, or loss of life.

3.1 GENERAL TECHNICAL REFERENCES

Caution: Before igniting the pilot or burners, perform the following inspections and verifications:

Check glass gasket seal. Visually inspect glass gasket, especially at the corners of the glass piece. Glass gasket is installed as a 4-piece assembly. Check joints between the gasket pieces at the corners. They should butt against each other to create a seal. Gaps between gasket pieces can cause exhaust leaks and lead to acrid smell concerns. Check for gas leaks at all fittings.

During the first burning cycle of this appliance, ensure the convection blower is running at level three during the first two hours of initial burn. After two hours of initial burn, allow appliance to cool. **Proceed with [Mendota Appliance Curing Instructions, Chapter 3.2.1](#).**

WARNING FIRE RISK/ODOR RISK

- This appliance must be installed on top of wood, masonry or metal floor extending the full width and depth of this appliance.
- Verify glass gasket seal before firing unit the first time. Verify proper latching of glass frame onto unit body.
- Understand that this appliance requires a break-in period during which small amounts of smoke and curing smells will be emitted.

This appliance must be installed and serviced by a qualified installer, service agency, or the gas supplier. Any adjustments to the burner, pilot, logs, or coal bed must be made by a qualified installer, service agency, or the gas supplier.

If the ignition system goes into lockout mode, always wait 5 minutes before attempting to re-light.

Never block off convection air openings or paths. Trim panels or surrounds shall not seal ventilation openings in the appliance.

Always use Mendota decorative fronts and Mendota approved vent systems and vent caps only.

3.2 KEEP THE FLUE WARM

It is required to activate the Standing Pilot Mode to leave the pilot light running during winter months when outside daily high temperatures remain 50°F or lower. Doing so will eliminate heat loss from the home through the appliance glass door and will increase flue draft during startups and will aid in eliminating system lock out.

3.2.1 Mendota Appliance Curing Instructions

ATTENTION

It is important that the blowers are turned on during this step to prevent the curing smoke from staining the wall finish around the appliance.

Visible smoke and strong odor are to be expected during this step. If desired, disable smoke alarms before this step, smoke from the initial curing cycle will set off smoke alarms. Open doors and windows of the home to circulate fresh air.

3.2.1.1 Step 1: Expelling Initial Smoke and Odors

- Please refer to, [4.4 OPERATING INFORMATION](#), if you have questions on how to operate your Mendota.
- Complete the installation of any barrier screen (required).
- Turn the appliance on in the Manual (Off) thermostat mode.
- Set the Flame Level to Hi.
- Set the Fan Speed Control to Level 3.
- Run the appliance with these settings for a minimum of 2 hours.
- Turn the appliance off and let it cool.

3.2.1.2 Step 2: High Heat Curing Cycle

- Turn the appliance on in the Manual (Off) thermostat mode.
- Set the Flame Level to Hi.
- Set the Fan Speed Control to Off.
- Run the appliance with these settings until curing odors have diminished.
- When odors have diminished leave the appliance turned on and continue to Step 3.

3.2.1.3 Step 3: Final Curing Cycle

- With the appliance still turned on from Step 2.
- Set the Fan Speed Control to the lowest setting Level 1.
- If any new curing odors are detected, continue to run the appliance with this setting until the curing odors have diminished.

ATTENTION: Slight odors may still be noticeable on future startups of the appliance. These will diminish over time as the appliance is used.

3.2.1.4 Additional Curing Information

It is not unusual for an appliance to require more than 10 continuous hours on high for curing odors to diminish. There are variables that can extend or shorten the curing time.

3.3 MECHANICAL TECHNICAL REFERENCES

3.3.1 Selecting Appliance Location

When selecting a location for your appliance, it is important to consider the required clearances to walls.

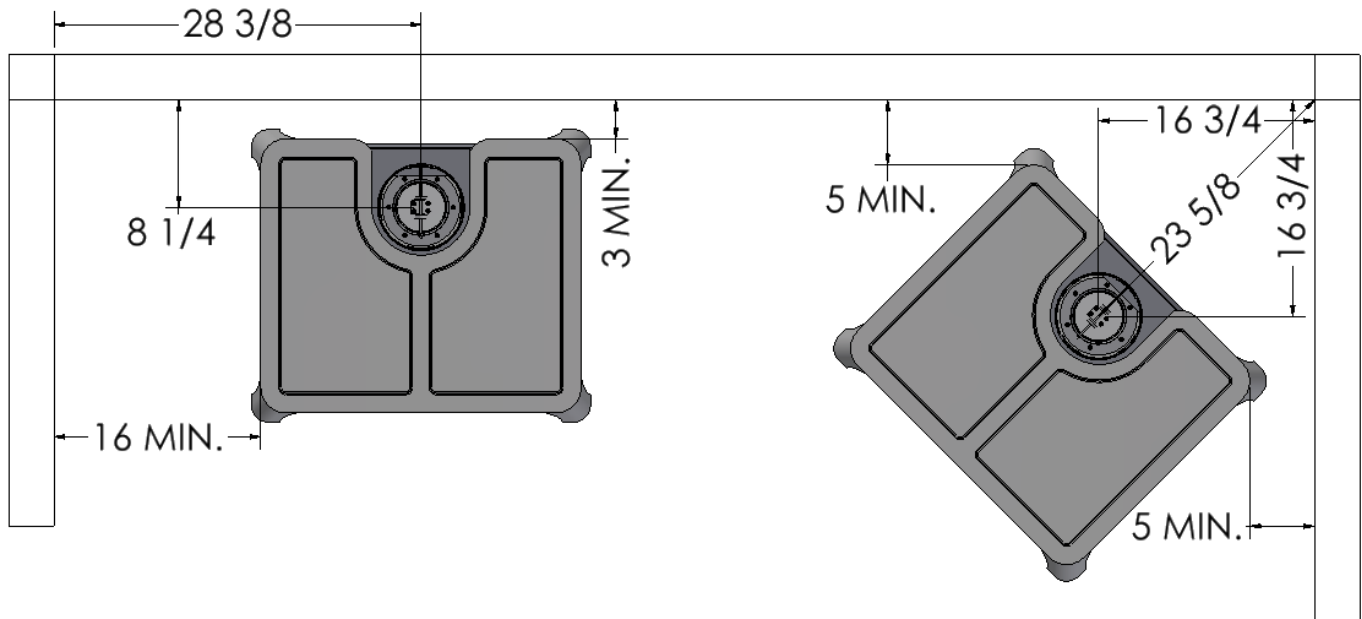


Figure 3-1 APPLIANCE LOCATION

WARNING **FIRE RISK- ODOR RISK**

- Install appliance on hard metal or wood surfaces extending full width and depth of this appliance.
- Locate and install appliance to all clearance specifications in manual.


3.3.3 Other Warning and Caution Labels

A few warnings or caution labels are attached to this appliance body as required per code to inform you of important facts. You can find these labels on the outer surface of this appliance.

Make certain you heed all the warning and caution statements during installation and maintenance of this appliance.

This appliance must be installed in accordance with local codes, if any, if not; follow the National Fuel Gas Code, ANSI Z223.1 or Canadian Installation Codes, CAN/CGA B149".
«Installer l'appareil selon les codes ou règlements locaux, ou, en l'absence de tels règlements, selon les Codes d'installation CAN/CGA-B149

CAUTION:
HOT WHILE IN OPERATION. DO NOT TOUCH. SEVERE BURNS MAY RESULT.
KEEP CHILDREN, CLOTHING, FURNITURE, GASOLINE, AND OTHER LIQUIDS WITH FLAMMABLE VAPORS AWAY!
ATTENTION:
L'APPAREIL EST CHAUD LORSQU'IL FONCTIONNE. NE PAS TOUCHER L'APPAREIL.
SURVEILLER LES ENFANTS. GARDER LES VÊTEMENTS, LES MEUBLES, L'ESSENCE OU AUTRES LIQUIDES À VAPEUR INFLAMMABLES LOIN DE L'APPAREIL.

 **WARNING**

This product and the fuels used to operate this product (liquid propane or natural gas), and the products of combustion of such fuels, can expose you to chemicals including benzene, which is known to the State of California to cause cancer and reproductive harm. For more information, go to: www.P65Warnings.ca.gov.
85-01-01484

ONLY CONNECT 110 VAC POWER SUPPLY IN HERE

CONNECTER UNIQUEMENT UNE ALIMENTATION DE 110 VAC

THIS CONNECTION IS FOR LOW VOLTAGE BATTERY OR DIRECT CURRENT ONLY. DO NOT CONNECT TO 120 OR 240 VOLTS AC

<p>CAUTION Hot while in operation. Do not touch. Severe burns may result. Keep children, clothing, and furniture away. Keep gasoline and other liquids having flammable vapors away.</p> <p>ATTENTION L'appareil est chaud lorsqu'il fonctionne. Ne pas toucher l'appareil. Risque de brûlures graves. Surveiller les enfants. Garder les vêtements et les meubles loin de l'appareil. Garder l'essence ou autres liquides produisant des vapeurs inflammables loin de l'appareil.</p> <p>Keep burner and control compartment clean. See Installation and Operating Instructions accompanying the appliance. S'assurer que le brûleur et le compartiment des commandes sont propres. Voir les instructions d'installation et d'utilisation qui accompagnent l'appareil.</p>	<p>WARNING If the vent system for this appliance is disconnected for purposes of cleaning or inspection, the vent system must be properly reinstalled and resealed prior to firing of this device.</p> <p>ADVERTISSEMENT Si le système d'évacuation de cet appareil est déconnecté à des fins de nettoyage ou d'inspection, le système d'évacuation doit être correctement scellé et remis en avant tir de cet appareil.</p> <p>WARNING FOR VERTICAL VENT PIPE APPLICATIONS Always maintain 1" clearance between vent pipe & combustibles. FOR HORIZONTAL VENT PIPE APPLICATIONS Always maintain 3" clearance from top of vent pipe and 1" clearance from side & bottom of vent pipe to combustibles</p>	<p>WARNING This heater must be properly connected to venting system in accordance with the manufacturer's installation instructions. Operation of this heater when not connected to a properly installed and maintained venting system can result in carbon monoxide (CO) poisoning and possibly death.</p> <p>AVERTISSEMENT Cet appareil de chauffage doit être correctement raccordé à un système d'évacuation conformément aux instructions d'installation du fabricant. Le fonctionnement de cet appareil s'il n'est pas raccordé à un système d'évacuation correctement installé et entretenu présente un danger d'intoxication au monoxyde de carbone (CO), voire de mort.</p>
<p>WARNING Improper installation, adjustment, alteration, service, or maintenance can cause injury or property damage. Refer to the owner's information manual provided with this appliance. For assistance or additional information consult a qualified installer, service agency, or the gas supplier.</p> <p>ADVERTISSEMENT Une installation, un réglage, une modification, une réparation ou un entretien mal effectué peut causer des dommages matériels ou des blessures. Voir la notice de l'utilisateur qui accompagne l'appareil. Pour de l'aide ou des renseignements supplémentaires, consultez un installateur, un technicien agréé ou le fournisseur de gaz.</p>	<p>AVERTISSEMENT INSTALLATIONS À CONDUIT D'ÉVACUATION VERTICAL Toujours maintenir un dégagement de 25 mm (1 po) entre le conduit et les matières combustibles. INSTALLATIONS À CONDUIT D'ÉVACUATION HORIZONTAL Toujours maintenir un dégagement de 76 mm (3 po) sur le dessus du conduit et de 25 mm (1 po) sur les côtés et le dessous du conduit par rapport aux matières combustibles.</p>	<p>CAUTION Do not operate the appliance with glass removed, cracked, or broken. Replacement of the panel(s) should be done by a licensed or qualified service person.</p> <p>ATTENTION Ne pas utiliser l'appareil si le panneau frontal en verre n'est pas en place, est craqué ou brisé. Confiez le remplacement du panneau à un technicien agréé.</p>

3.3.4 360 FireIn Stove Appliance Ratings Information

This Mendota appliance can be installed directly on top of metal, masonry, or wood structural surface.

ELECTRICAL REQUIREMENTS: 120 Volts AC, 2 Amps (minimum line voltage allowed 110 Volts AC) REQUIRED

GAS SUPPLY PRESSURE: NAT. GAS: 7" W.C. [5.0" W.C. MIN., 11" W.C. MAX.]

L.P. GAS: 11" W.C. [11" W.C. MIN., 13" W.C. MAX.]

LP GAS CONVERSION KIT: This appliance comes configured for use with Natural Gas. To convert the appliance for use with LP Gas, install: LP GAS CONVERSION KIT # HA-134-00101.

GAS INPUT RATES	High Fire	Low Fire
BTUH NAT. GAS	35,500	9,300
BTUH L.P. GAS	35,500	11,300

ORIFICE SIZES.....[0-2000ft (610 m)]: NATURAL GAS: Left-#51, Right-#52, Pan-#50 L.P: Left-#60, Right-#62, Pan-#58

[2000-4500ft (610-1370 m)]: NATURAL GAS: Left-#51, Right-#52, Pan-#50 L.P: Left-#60, Right-#61, Pan-#58

P.4 APPLIANCE EFFICIENCY74%

FLUE VENTINGCOAXIAL RIGID- 4" DIAMETER EXHAUST & 6-5/8" DIAMETER AIR INLET AND APPROVED VENT CAPS
All UL Listed Coaxial Rigid 4"X6-5/8" Vent pipe components and vent caps are approved for use. Do not mix components of different brands or series. Always use the same brand and series components throughout the entire vent system.

MINIMUM CLEARANCES TO COMBUSTIBLE CONSTRUCTION

UNIT TO FLOOR	0 in. (0 mm)	CORNER INSTALL UNIT TO COMBUSTIBLES	5 in. (127 mm)
UNIT TO ENCLOSURE SIDEWALL	16 in. (408 mm)	VENT PIPE TOP TO COMBUSTIBLES	3in. (76 mm)
UNIT TO ENCLOSURE BACK WALL	3 in. (76 mm)	VENT PIPE SIDES TO COMBUSTIBLES	1in. (25 mm)
UNIT TOP TO ENCLOSURE CEILING	37 in. (945 mm)	VENT PIPE BOTTOM TO COMBUSTIBLES	1in. (25 mm)
UNIT FLOOR TO ROOM CEILING	66 in. (1,676 mm)		

NET WEIGHT.....250 lbs. (Team Lift recommended)

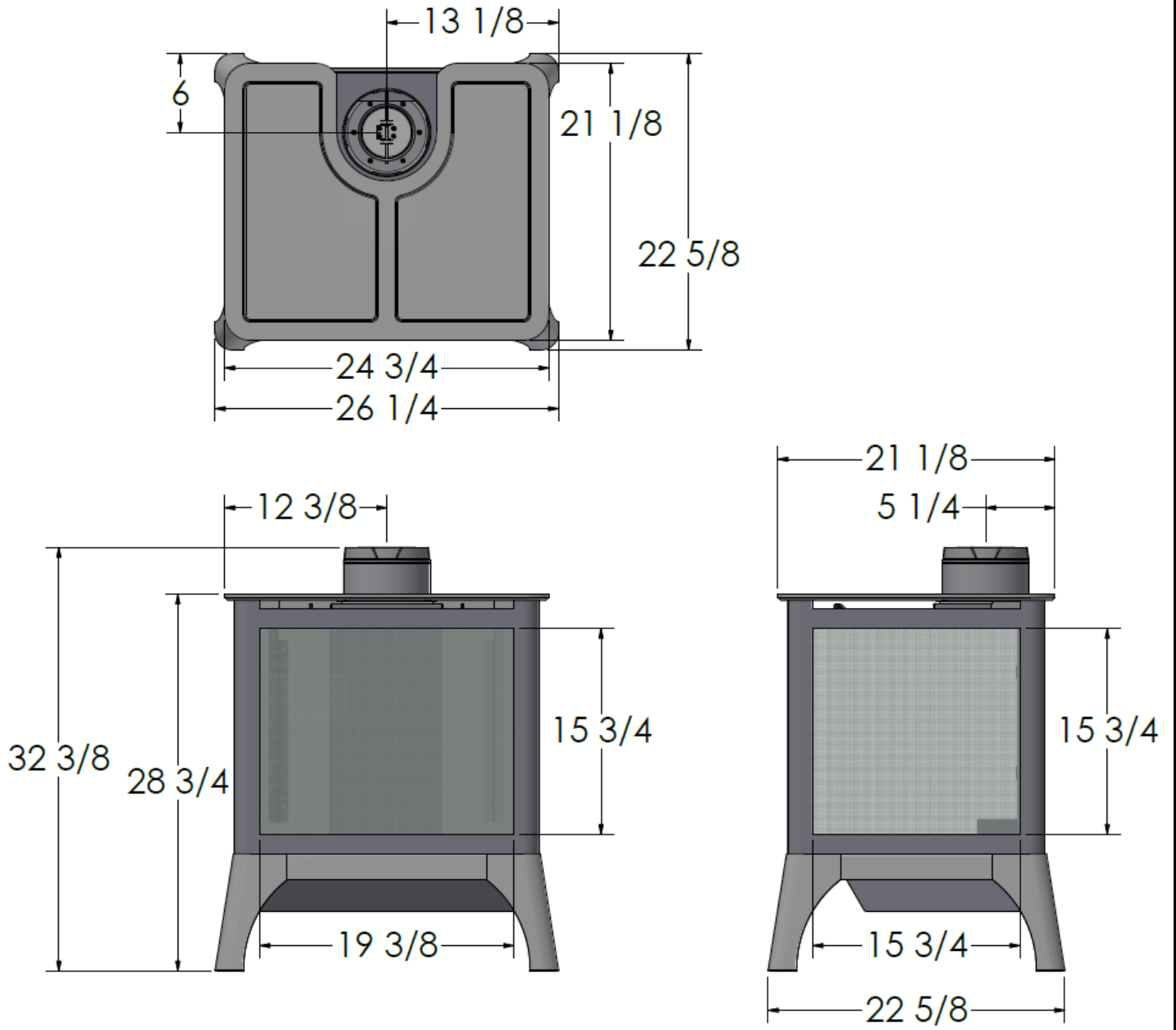
BARRIER SCREEN: A barrier screen that has been certified for use with this appliance must be installed on the appliance when it is in use. The barrier screen will prevent accidental contact with the glass door face, which could result in a severe burn.

SAFETY: AGA certified, electronic ignition IPI system activated with thermostatic remote control.

CERTIFIED TO: ANSI Z21.88-2019(R2024) / CSA2.33-2019(R2024)

This Mendota Gas appliance has been tested and certified by:
Intertek Testing Services, 8431 Murphy Drive, Middleton, WI 53562\
ICBO#AA647-4

3.3.5 Appliance Dimensions



3.3.6 Appliance Features Identification

3.3.6.1 Convection Blower System

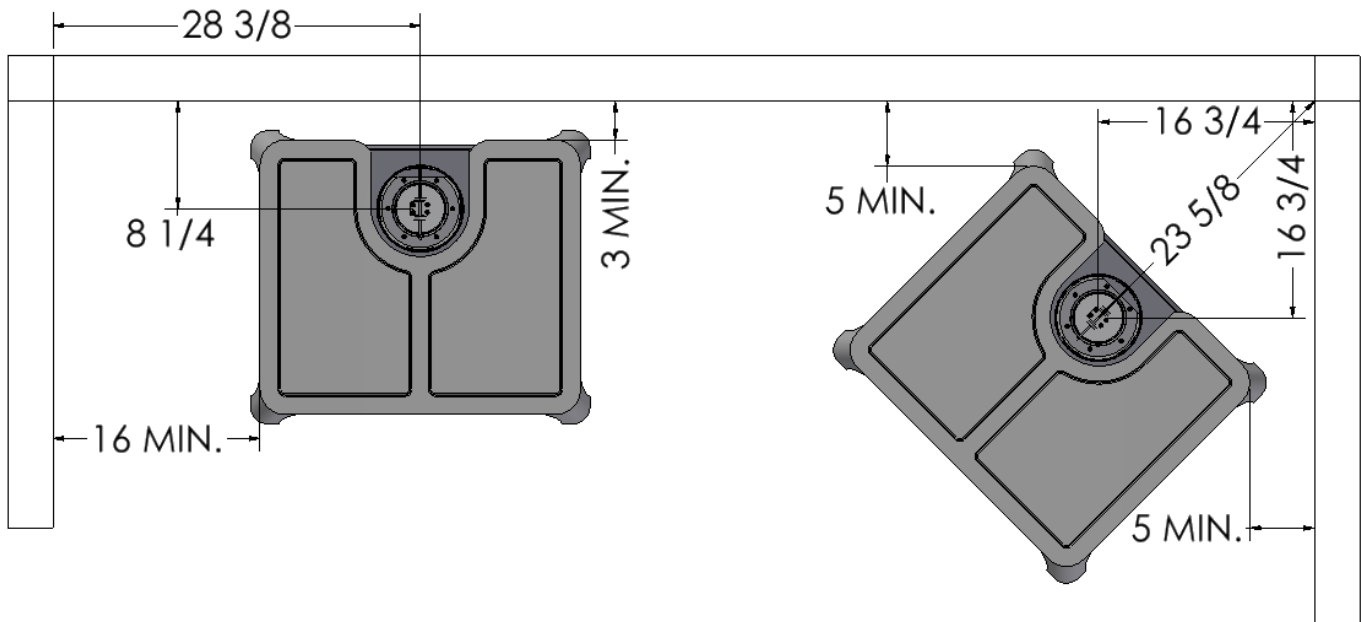
Dual blowers are provided as standard equipment with this 360 FireIn Stove. The dual blowers have an air output rating of 190 CFM (in free air). This appliance is designed to operate with the blowers turned off or on. Turning the blower on aids in distributing and circulating heat to the room this appliance is installed in.

3.3.7 Clearances to Combustibles

3.3.7.1 Clearances to Combustible Side Walls

The minimum distance required from the side edge of the top to a combustible side wall is 16".

If the required clearance cannot be met to a pre-existing combustible side wall, an NFPA approved clearance reduction shield, metal, or ceramic board, must be added to the side wall.



3.3.7.1.1 Horizontal Clearance Reduction by 66%

NPFA 211 Approved: Install 20-gauge or heavier steel shield that provides at least a 1" active airspace, on the combustible wall surface. To provide for active airflow, install at least 1" metal or ceramic standoffs or spacers between the metal shield and the combustible surface being protected. The bottom and top edges of the cavity between the metal shield and the combustible surface must be left open. The steel shield must be a minimum of 12" larger in each direction than the surface area of the source of heat; or if the surface being protected is smaller than surface area of the source of heat, this shield must be larger than the combustible surface in each direction.

By using this method of protection, if the required horizontal clearance was 16", the resulting clearance will be reduced by 66% to 5-3/8" between the heat source and the metal shield.

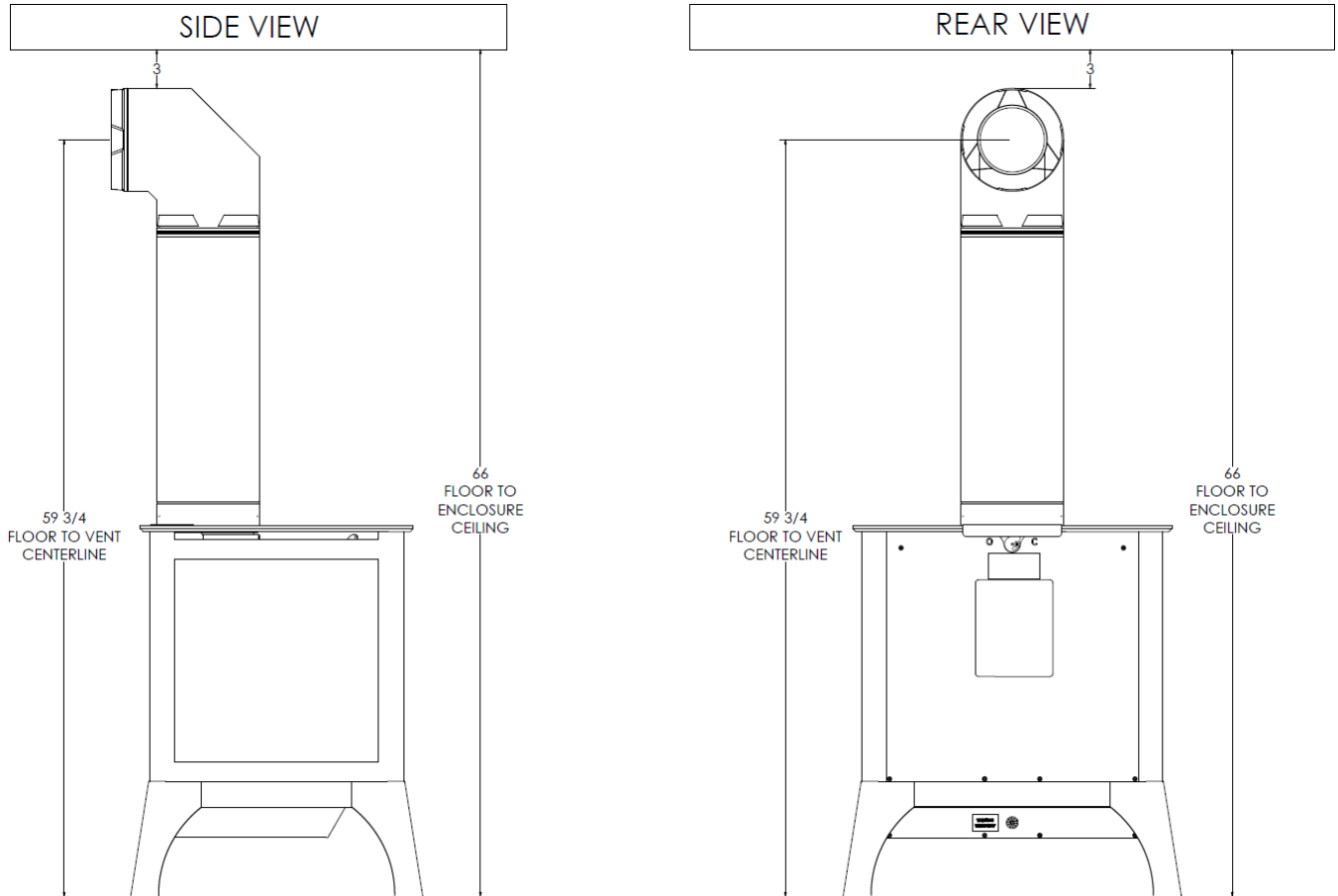
3.3.7.1.2 Horizontal Clearance Reduction by 50%

NPFA 211 Approved: Install an R-1 rated ceramic board or R-1 rated mineral board on the wall you are attempting to protect. by using this method of protection, if the required horizontal clearance was 16", the resulting clearance will be reduced by 50% to 8" between the heat source and the R-1 Rated wall board.

3.3.7.2 Clearances to Overhangs

This appliance may be installed underneath an overhang. This must follow the required clearance to vent pipes.

The clearance to top of a horizontal vent pipe or the top of a horizontal discharge elbow shall be 3" minimum. With the minimum vertical vent configuration, the minimum overhand height would be 66" from the floor.



3.3.8 Hearth Pad Requirement

A non-combustible hearth protector is not required for this appliance.

WARNING
FIRE RISK/ODOR RISK

- This appliance must be installed on top of wood, masonry or metal floor extending the full width and depth of this appliance.
- Verify glass gasket seal before firing unit the first time. Verify proper latching of glass frame onto unit body.
- Understand that this appliance requires a break-in period during which small amounts of smoke and curing smells will be emitted.

3.4 ELECTRICAL TECHNICAL REFERENCES

3.4.1 AC Power Requirements

WARNING: Label all wires prior to disconnection when servicing controls. Wiring errors can cause improper and dangerous operation. Verify proper operation after servicing.

For normal operation, this appliance requires 120 VAC, 2 Amp power or a 6V DC power source. The AC power supply to this appliance must be hot at all times and shall not have a switch installed in it.

This appliance is equipped with an electrical junction box on the underside accessible from the back of the appliance.

3.4.1.1 Planning for AC Power Connection

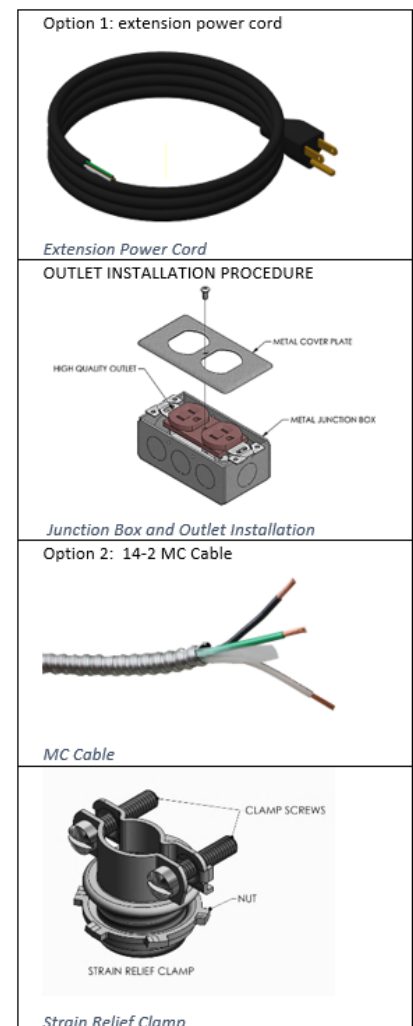
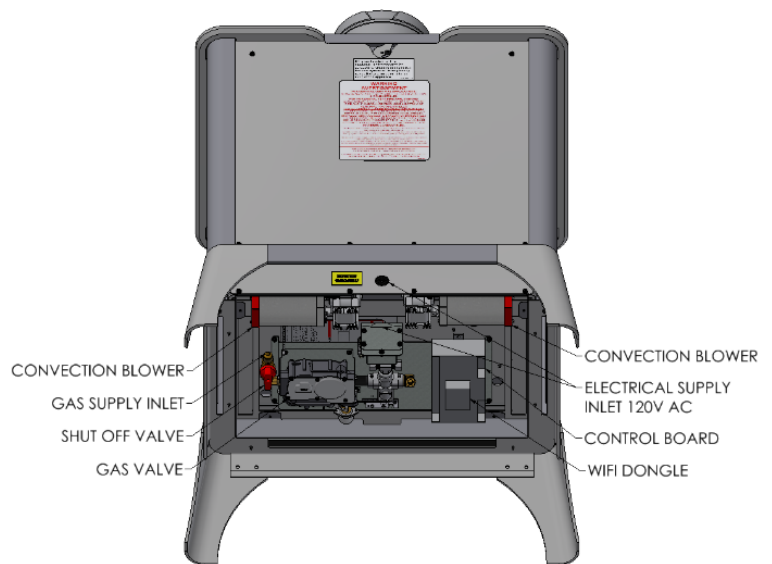
On the underside of the appliance facing rearward, you will find an electrical junction box with a strain relief clamp. Two options exist for supplying 120 VAC power to this appliance:

1. Use the supplied extension cord and run the extension cord to a wall electrical outlet in the room or install an electrical outlet (inside a metal junction box with metal faceplate) near the appliance. Always use metal flex conduit encapsulated 14-2 cable (MC Cable) to run power from the source to the outlet junction box. Installation of the electrical outlet and its electrical supply cable must conform to all local electrical code requirements.
2. Run metal flex conduit encapsulated 14-2 cable (MC Cable) from an approved electrical junction in the home directly to the Junction Box of this appliance and connect to the three-color coded wires within the junction box using the three wire nuts supplied. Make certain to leave a 24" long excess loop of the MC cable within the appliance area to allow removal of this appliance during cleaning and service work. Make sure to properly secure the end of the MC cable to the fireplace body side cover plate using the supplied strain relief clamps.

Notice: Mendota wants to make you aware of current NEC Codes that may be enforced by local authorities. Mendota cannot override local building officials' enforcement of National Electrical Codes. Be aware of these potential requirements.

Notice: Electricity circuits cannot be shared between different floors within a home. This means that you can run a power cable from a basement to the main floor appliance through an ash cleanout opening or by drilling a hole through. However, you cannot tap the power directly from a power circuit in the basement that supplies power to basement lights or outlets. You must run a dedicated power circuit from the main fuse panel to the upper-level appliance.

Notice: An MC Cable which enters an electrical junction box must employ a strain relief clamp at the entry point permanently to prevent movement, vibration and disconnection or loosening of electrical connections inside the Junction Box. Not using a strain relief clamp can lead to arcing between loose connections and pose a fire hazard. If an outlet is installed inside a wood burning fireplace always use a metal junction box, MC Cable and strain relief clamps.



3.5 PLUMBING TECHNICAL REFERENCES

3.5.1 Gas Supply Requirements

NOTE: if appliance is to be operated with LP gas, see Chapter 3.11 [Natural Gas to LPG Conversion](#) in this manual before proceeding.

CORRECT GAS PRESSURE AND PROPER GAS SUPPLY LINE SIZING IS IMPERATIVE TO THE SUCCESSFUL PERFORMANCE OF YOUR MENDOTA GAS APPLIANCE. BE SURE THE GAS SUPPLIER OR PLUMBER CAREFULLY CHECKS FOR CORRECT GAS PRESSURE AND GAS LINE SIZING WHEN INSTALLING THE APPLIANCE.

IT IS CRITICAL TO CAREFULLY CHECK FOR GAS LEAKS WHEN HOOKING UP THE APPLIANCE. CHECK WITH SOAP AND WATER SOLUTION OR COMBUSTIBLE GAS SNIFFER.

BE SURE TO INSTALL CSST FLEX GAS LINE WITH BRASS-TO-BRASS FITTINGS TO PREVENT GAS LEAKS AT CONNECTIONS.

GAS SUPPLY PIPING MUST INCLUDE A DRIP LEG TO ELIMINATE THE POSSIBILITY OF CONTAMINANTS ENTERING THE GAS TRAIN. ADHERE STRICTLY TO LOCAL AND NATIONAL CODES.

3.5.2 Gas Supply Line Sizing

This Mendota gas appliance comes equipped with a 3/8" flare male fitting. Gas supply piping must enter the appliance cabinet on the underside.

Use the table, below, to determine the proper gas line diameter that must be installed to run from the supply regulator to the factory installed manual shutoff valve. Refer to the following table for proper gas pipe diameters.

PIPE LENGTH [FEET]	SCHEDULE 40 PIPE INSIDE DIA.		TUBING, TYPE L OUTSIDE DIAMETER	
	NAT.	L.P.	NAT.	L.P.
0-10	1/2" [1.3 cm]	3/8" [1.0 cm]	1/2" [1.3 cm]	3/8" [1.0 cm]
10-40	1/2" [1.3 cm]	1/2" [1.3 cm]	5/8" [1.6 cm]	1/2" [1.3 cm]
40-100	1/2" [1.3 cm]	1/2" [1.3 cm]	3/4" [2.0 cm]	1/2" [1.3 cm]
100-150	3/4" [2.0 cm]	1/2" [1.3 cm]	7/8" [2.3 cm]	5/8" [1.6 cm]
150-200	3/4" [2.0 cm]	1/2" [1.3 cm]	7/8" [2.3 cm]	3/4" [2.0 cm]

NOTE: Some areas allow copper tubing or galvanized pipe - check with local approval agencies and codes NEVER use plastic pipe.

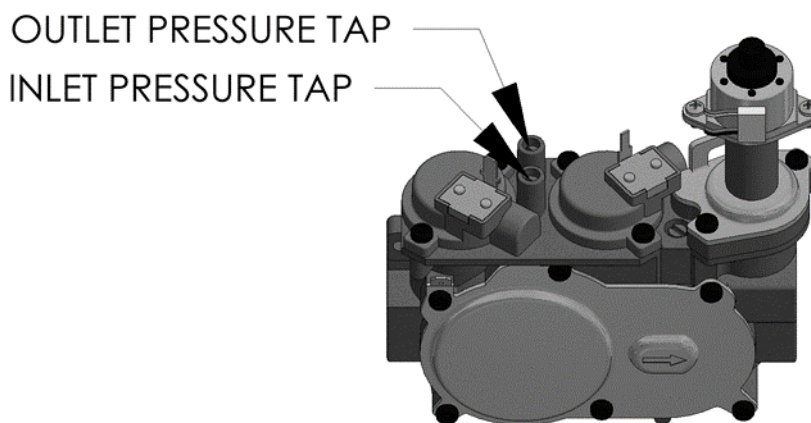


Figure 3-2 Gas Pressure Test Ports

3.5.3 Gas Pressure Requirements and Checking

Two pressure taps for checking input and output gas pressures are located on the main gas valve. A qualified installer should use this fitting for setting the correct gas pressure during initial installation.

The appliance and its appliance main gas valve must be disconnected from the gas supply piping system during any pressure testing of that system at test pressures in excess of 1/2 psi (3.5 kPa).

The appliance must be isolated from the gas supply piping system by closing its equipment shut-off valve during any pressure testing of the gas supply piping system at test pressures equal to or less than 1/2 psi (3.5 kPa).

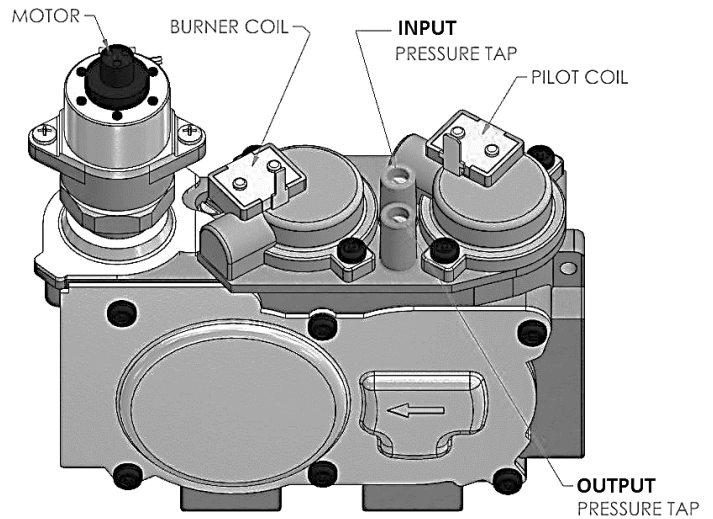


Figure 3-3 Main Gas Valve

3.5.4 Drip Leg Recommended

It is recommended that a drip leg/sediment trap is installed within the main gas supply line serving this appliance.

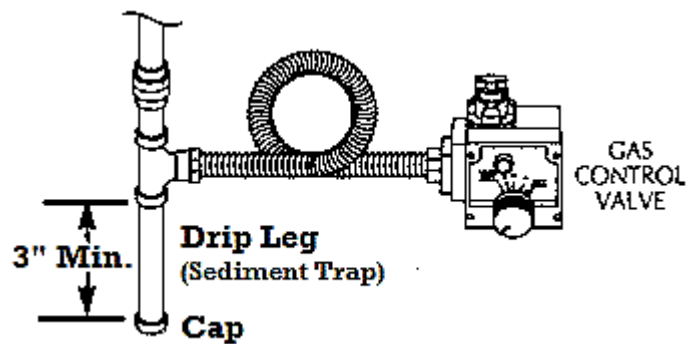


Figure 3-4 Drip Leg/ Sediment Trap

3.5.5 Manual Gas Shutoff Valve Requirement

If local building codes require one, obtain an external keyed wall-mounted or floor-mounted manual gas shutoff valve approved per local gas plumbing codes and install per local gas plumbing codes in the specified location. Local requirements supersede all other codes.

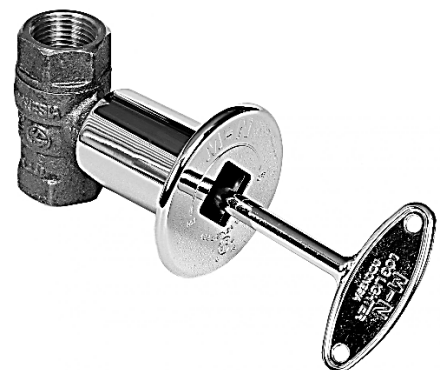


Figure 3-5 Keyed Manual Gas Shutoff Valve

3.5.6 Factory Installed Manual Gas Shutoff Valve

A manual gas shutoff valve is factory installed and located under the appliance. To operate the manual gas shutoff valve, locate the red handle on the shut off ball valve. Rotate 90-Degrees counterclockwise or until it stops to fully close the valve. To open valve, locate the red handle shut off on the ball valve and rotate 90-degrees clockwise or until it stops.

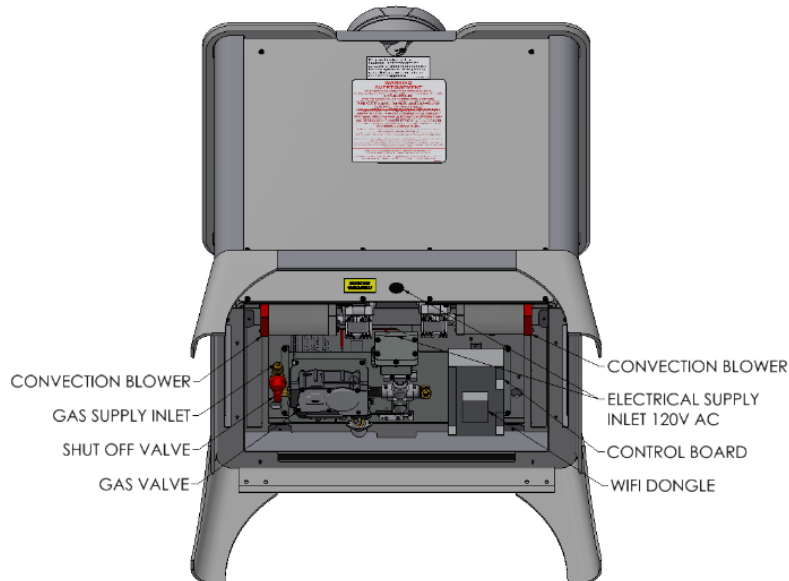


Figure 3-6 EMERGENCY GAS SHUTOFF

3.5.7 Gas Inlet Fittings Information

Caution: Before you run the gas line, read, understand, and properly calculate the required gas line size. Improper (too small) gas line size application can lead to improper burner ignition and can cause property damage and/or injury. If you are not qualified or certified to run a gas line, do not proceed. Contact a qualified Gas Plumber.

The gas inlet fitting supplied with this appliance provides a 3/8" Flare Male Fitting.

Based on the gas line size you have selected use an appropriate NPT fitting to adapt and connect to the 3/8" Flare Male Fitting.

3.5.8 Gas Input Rate Verification

3.5.8.1 Natural Gas Input Rate Verification

1. Verify main orifice size. The main orifice body has the orifice hole size stamped on it. NG orifice size shall be #51 (Left Burner), #52 (Right Burner), and #50 (Pan Burner) for all elevations.
2. Verify that the Manifold Gas Pressure is within 3.5" WC +/- 1/8".
Once setup, read the main home gas supply meter reading.
3. Write the initial reading here >> initial gas meter reading _____
Turn off all other appliances and their pilot flame in the home.
4. Run this appliance for a period of 30 minutes on maximum flame size. Turn off main burner and pilot flame. Read the main home gas supply meter reading after the 30 minutes of burn time.
5. Write the reading here >> final gas meter reading _____
Calculate the following:
6. FINAL GAS METER READING - INITIAL GAS METER READING... Subtract initial gas meter from final gas meter reading. This will yield the number of Therms used during the 30-minute burn time.
7. Multiply the result in Item #6 by 100,000.
8. Multiply the result in Item #7 by 2. Write down the result here >> _____
9. The result in item #8 shall be at least the maximum input rate (35,500 Btu/hr.) for all altitudes.

3.5.8.2 LPG Input Rate Verification

Verify main orifice size. The main orifice body has the orifice hole size stamped on it. LPG orifice size shall be #60 (Left Burner), #62 (Right Burner), and #58 (Pan Burner) for 0-2000 ft. elevation and #60 (Left Burner), #61 (Right Burner), and #58 (Pan Burner) for 2000-4500 ft elevation.

Verify that the manifold gas pressure is within 11.0" WC +/- 1/8".

3.5.9 High Altitude De-Rating

If you are de-rating this appliance at a high altitude, attach the High Altitude De-Rating Label, supplied in the Owner's Manual Packet, to the back surface of the listing label plate located in the air gap on the side of the appliance. If you are also converting the appliance for LP Gas attach the labels included with the conversion kit to the same surface. Prior to attaching the label, fill in all the information that is requested on the label.

For installations from 610-1370 meters (2000-4500 ft.) the orifice sizes (DMS) for Natural Gas are #51 (Left Burner), #52 (Right Burner), and #50 (Pan Burner) and Propane Gas are #60 (Left Burner), #61 (Right Burner), and #58 (Pan Burner), respectively. See data plate for additional information. For high altitude installations consult the local gas distributor or the authority having jurisdiction for proper rating methods. If the installer must convert the unit to adjust for varying altitudes, the information sticker must be filled out by the installer and adhered to the appliance at the time of conversion."

This appliance has been converted for use at an altitude of:	
Orifice size:	Manifold Pressure:
Input (Btu/h):	Fuel Type:
Date of conversion:	Converted by:

Cet appareil a été converti au ____ Injecteur _____ Pression à la tubulure d'alimentation _____ Débit calorifique _____
--

INSTALLATION INSTRUCTIONS

3.6 INSTALLATION CHECKLIST

The instructions provided in this chapter are arranged in the sequence of occurrences.

This installation checklist is supplied as a guide for installers to follow step by step. As you complete each step of the installation work, check mark the completed work item in the list, below. All items in this installation checklist must be completed. When all the work is complete, fill in your name and the date this installation was completed.

- Unpack the appliance body.
- Open and inspect the manual packet.
- Unattach the appliance body from the wooden pallet.
- Place the appliance in the desired location.
- Open the appliance glass door.
- If planning to burn LPG, perform the NG to LPG conversion work.
- Measure chimney length required.
- Install vent system.
 - Sealant is not required at vent joints. **Do not use silicone sealants in vent connection joints anywhere.**
 - Adjust vent damper to match vertical chimney length. See 3.12.16 Vent Damper Adjustments
 - Co-axial vent rigid pipe, wall vent cap, or roof vent cap is installed by a Mendota approved serviceperson in accordance with instructions.
 - All joints are secured, "twist-locked" and leak-proof.
 - Horizontal or vertical vent cap is installed "right-side-up" and tightly sealed to structure per instructions. Vent Caps are Mendota approved.
 - Proper exterior and interior clearances for vent systems and locations for wall vent cap/roof vent cap are maintained.
 - Correct gas pressure, proper size gas lines and gas leaks are checked.
 - 120 V electrical service and gas supply is installed in accordance with instructions and local and national codes.
 - Telescoping sections are not separated. They were used as complete assemblies.
- Connect Gas Supply to the appliance. Verify that gas pressures are proper and perform a complete leak test of all field installed gas joints and factory installed gas train joints using a gas sniffer.
 - Verify orifice sizes.
 - Verify gas input rates.
- Connect electrical supply to the appliance.
- Install optional inner liner kit. Follow instructions supplied with the liner kit.
- Install log set, coals, and inswool media.
- Install glass door and assure that it is in proper closed position and centered in firebox opening.
- Test fire appliance.
- Teach consumer how to use remote control and all functions of this appliance.
- Complete warranty registration at <http://mendotahearth.com/gas-appliance-and-stove-registration.php>

This installation was performed and completed by:

Date:

CONTENTS OF THE MANUAL PACKET

Once the outer box is removed, you will find the appliance body and a manual packet white box. This manual packet white box includes the items shown in the table, below. Contact Mendota Technical Service if any parts are missing.


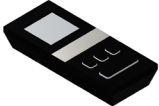
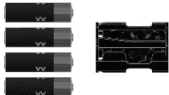
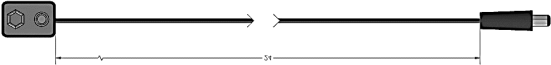
<p>Glass Latch Tool #HA-77-00256 Must Leave with Homeowner.</p>	
<p>Remote Control Transmitter # HA-110-00105. 3-AAA Batteries # 65-06-01270. Must Leave with Homeowner.</p>	
<p>Backup Battery Holder #05-02-00345 & QTY 4- AA Batteries #65-06-01147. Must Leave with Homeowner.</p>	
<p>Backup Power Harness #10-03-00128 Must Leave with Homeowner.</p>	
<p>Owner's Manual. Must Leave with Homeowner.</p>	<p>This Manual</p>

Figure 0-1 Manual Packet Contents

3.7 WHAT IS NOT INCLUDED WITH THIS APPLIANCE?

Log set and firebox lining are not included with this base appliance product. One of many log set options and firebox inner liner options must be selected and purchased separately. Venting is not included with this appliance and must be purchased separately.

3.8 LOGO INSTALLATION

Place the logo provided on the base of the stove. DO NOT place the logo anywhere above the base of the stove or it may be subject to temperatures greater than it was designed to withstand and damage may occur.



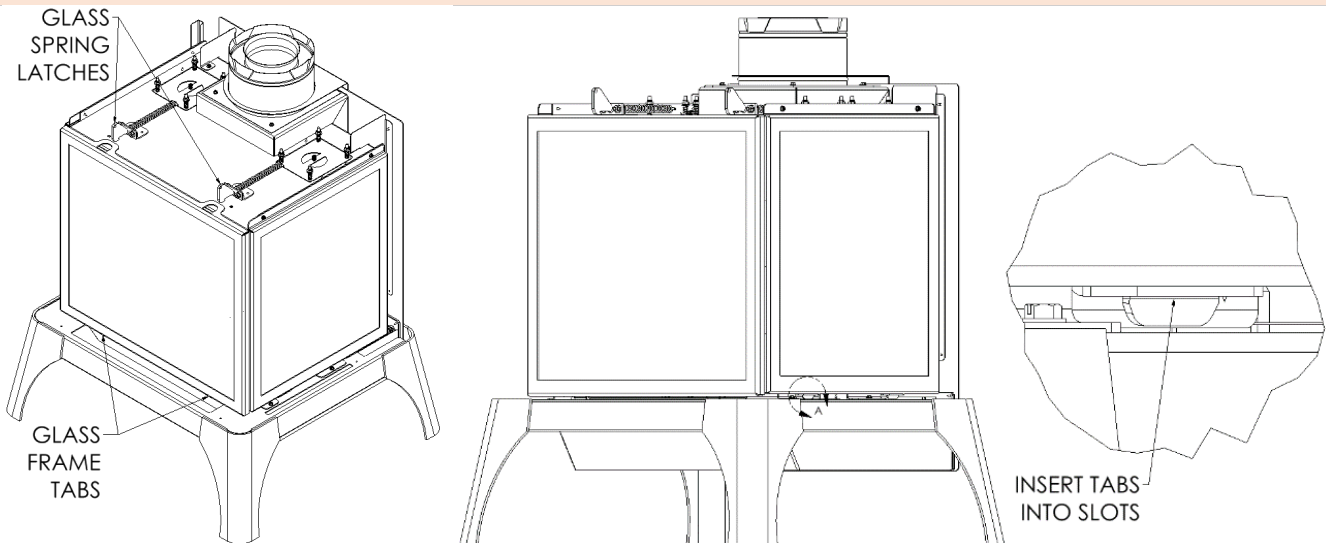
3.9 TO REMOVE DOOR

1. Lift the vent trim collar up and remove the top from the stove.
2. Use the glass latch tool to disconnect the spring latches from the glass frame. Insert tool into hole in latch, pull towards you and rotate 90-degrees to disengage top latches. Remove tool. There are two spring latches on top of this gas appliance. Always make certain the hook glass latches are in the upside-down position after removing the glass frame. This upside-down latch position will make it easier to reinstall the glass frame later.
3. With both hands, rotate the top edge of glass frame away from unit, approximately 2". Lift glass frame up and move away from unit.

The door is now free from unit.

NOTE: It is not necessary to remove the outer shell of the appliance to remove the door.

NOTE: Always check glass gasket condition and gasket seal any time the glass door is removed and when reinstalling glass door.



3.10 TO REPLACE DOOR

1. Lower door into position between the firebox and the outer firebox wrap.
2. Line up the two bottom tabs in glass frame bottom (left and right sides) with slots on the sides of the firebox bottom. Insert tabs into slots and center tabs in slots, left to right.
3. Center glass frame over firebox; left to right.
4. After door has been placed into slots use the tool provided to connect the spring latches to the glass frame. Insert tool into hole in spring latch, pull latch towards you, rotate latch so the hook is facing downward then release latch to hook to door frame.
5. Replace the top plate on the stove. The top plate has cutouts to align itself with the wrap and will "fall" into place when properly located.
6. Slide the vent trim collar down back into place.

The door is now connected and sealed to the unit.



3.11 NATURAL GAS TO LPG CONVERSION

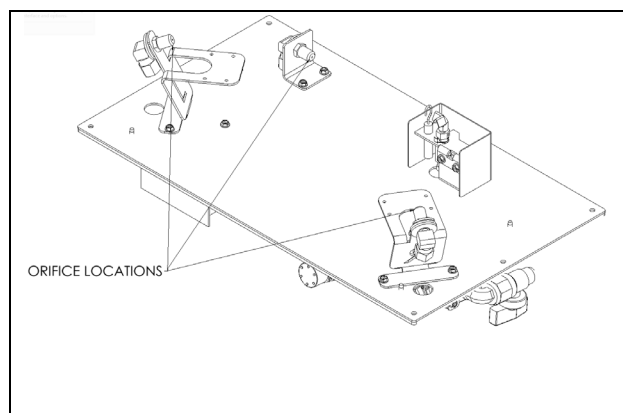
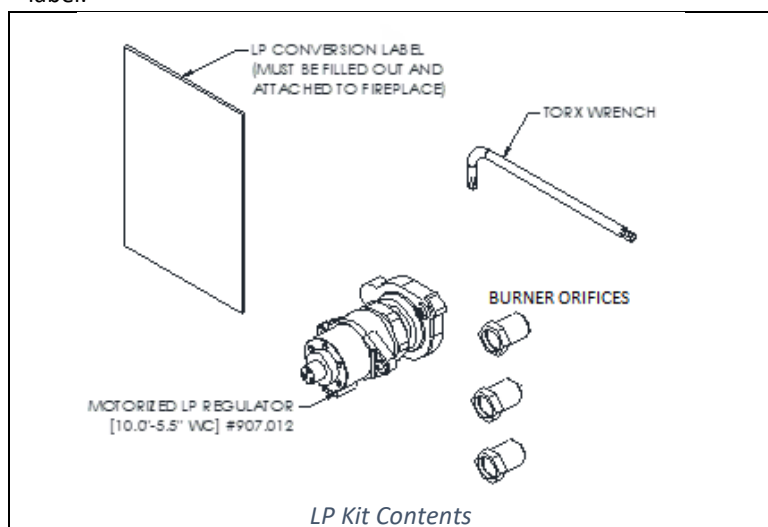
WARNING

This conversion kit shall be installed by a qualified service agency in accordance with the manufacturer's instructions and all applicable codes and requirements of the authority having jurisdiction. If the information in these instructions is not followed exactly, a fire, explosion or production of carbon monoxide may result causing property damage, personal injury or loss of life. The qualified service agency is responsible for the proper installation of this kit. The installation is not proper and complete until the operation of the converted appliance is checked as specified in the owner instructions supplied with the kit.

WARNING: Failure to position the parts in accordance with these diagrams or failure to use only parts specifically approved with this appliance may result in property damage or personal injury.

A natural gas to LP gas conversion kit #HA-134-00101 must be ordered and installed in this appliance to burn LP gas.

LP conversion kit #HA-134-00101 contains the following parts: one motorized LP pressure regulator #907.012, three cap orifices #65-14-00060 (**drill #60**), #65-14-00062 (**drill #62**), #65-14-00058 (**drill #58**), an L-shaped Torx wrench, and an LP conversion label.

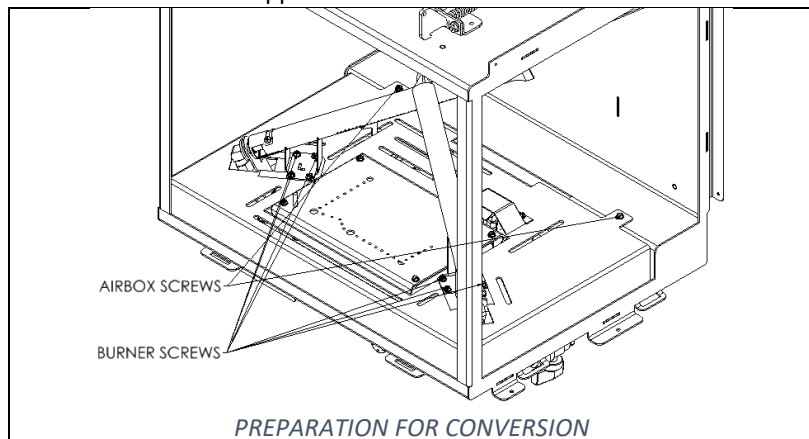


3.11.1 Procedure to Convert Appliance for LP Gas

This appliance arrives from the factory ready to burn natural gas. If you intend to burn LP gas, it is highly recommended that you convert this appliance and its pressure regulator, pilot natural gas/LP clip position and burner orifices prior to placing this appliance in the desired location.

Follow the step below to prepare this appliance for conversion to LP gas:

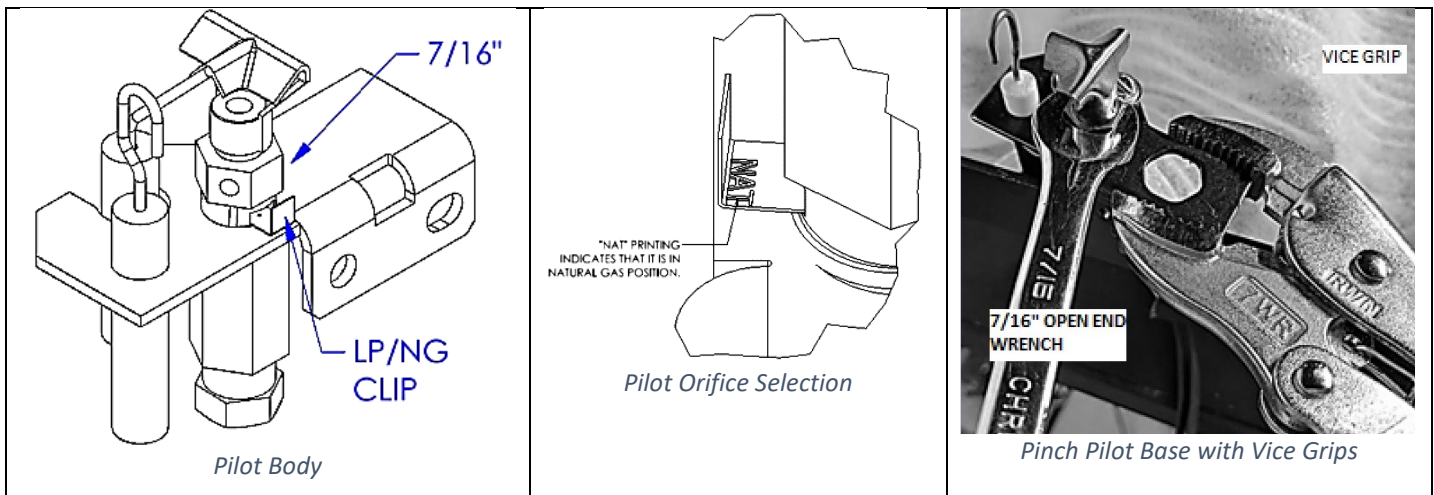
1. Remove the glass frame assembly.
2. Using a ¼" hex driver, remove the 8 screws that secure the left and right burners to the burner airbox.
3. Remove the burners.
4. Using a ¼" hex driver, remove the two screws that secure the airbox to the appliance floor.
5. Lift up and remove the airbox.
6. Using a ¼" hex driver, remove the two screws that secure the pan burner to the floor.
7. Remove the pan burner.
8. You will now be able to access the burner orifices, which are located on the orifice brackets. Using a ½" deep well socket wrench, remove all the orifices. When removing and installing the orifices be sure to use a wrench to keep the fitting the orifice screws onto from rotating.



- Thread a new #60, #62, and #58 orifices on the left, right, and pan orifice mounting brass fittings respectfully. Tighten down the orifices.

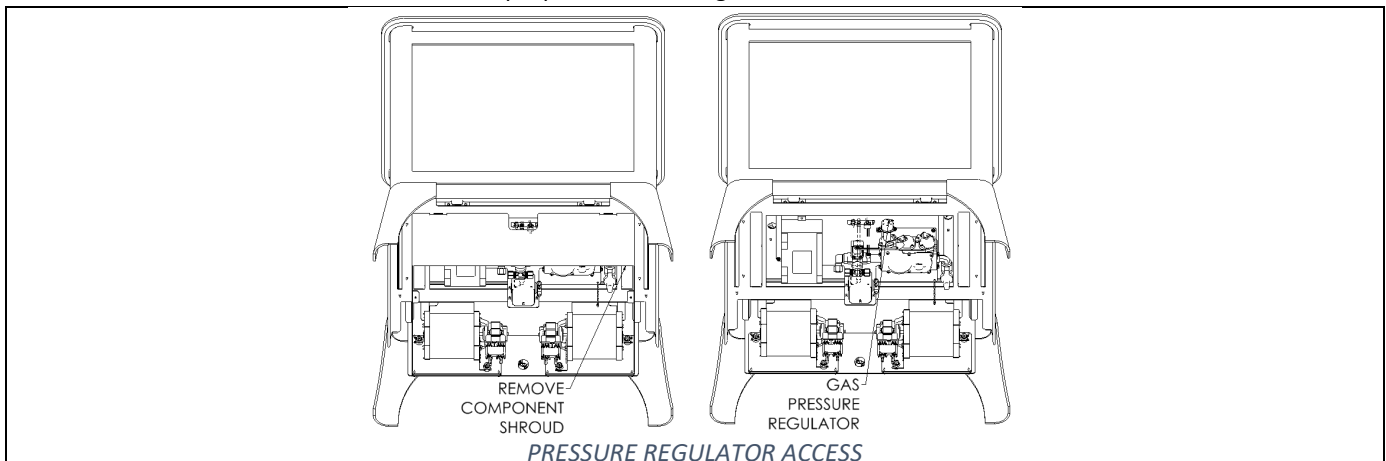
CAUTION: Always use one 7/16" open end wrench and one large pliers or vice grips tool to hold, loosen and tighten pilot hood base to prevent damage to pilot mount bracket.

- While holding the pilot base body with large vice grips tightly, loosen the pilot's hex-shaped base using a 7/16" open end wrench. Rotate counter clock-wise ¼ turn to loosen.
- Pilot arrives from the factory set for natural gas. Push natural gas/LP adjustment clip inward all the way to set it for LP. See detail view, below. If you see "NAT" printing on the adjustment clip, this indicates that the pilot is set to burn natural gas. Push the clip in so that "NAT" is not visible.
- Tighten down hex-shaped base of pilot using a 7/16" open end wrench.
- Install the pan burner, airbox and both left and right burners in their original locations and positions and secure down using screws you removed earlier.
- Make certain front burner is running parallel to front face of unit positioned properly so that the pilot hood pointing to the left is pointed properly toward the burner's flame propagation ports.
- Make certain rear burner is positioned properly so that the pilot hood pointing to the back is pointed properly toward the burner's flame propagation holes.



- Next, the pressure regulator will be changed. To do this, first remove the component shroud, it is held on with magnets, pull downward firmly to remove. **Warning: Do not force. Excessive force may damage internal wiring components.**
- See diagrams below and identify the pressure regulator on the valve body.
- Shut off the gas supply to the valve and shut down the electric supply.

Note: Be careful when removing or tightening the screw on the back of the pressure regulator. The screw location is difficult to access, and care must be taken to ensure a proper seal when tightened.



3.11.2 Pressure Regulator Conversion

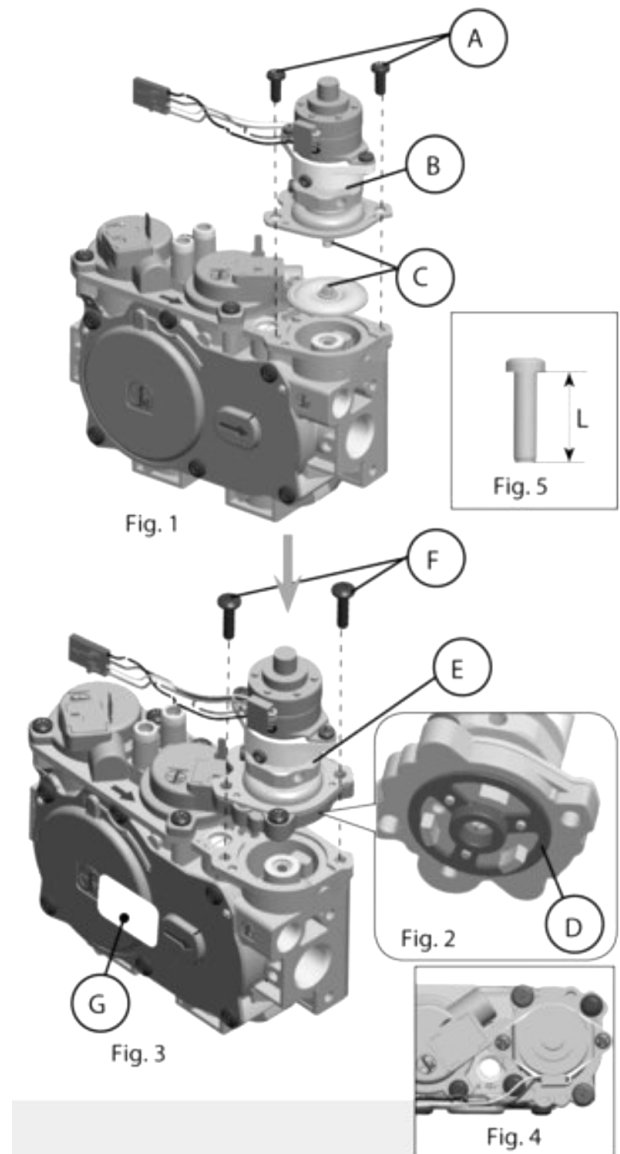
WARNING: Failure to position the parts in accordance with these diagrams or failure to use only parts specifically approved with this appliance may result in property damage or personal injury.

1. See Figure 1: Using a Torx T20 (supplied) or slotted screwdriver, remove and discard the two pressure-regulator mounting screws (A); pressure-regulator tower (B); and the spring and diaphragm assembly (C), if applicable.
2. See Figure 2: Ensure the rubber gasket (D) is properly positioned. The rubber gasket is pre-fitted as part of assembly (E).
3. See Figure 3 and Figure 4: Install the new stepper motor pressure regulator assembly. Use the provided screws (F), M4 x 0.7 threaded; length of thread $L = (16\text{mm} + 0 - 0.5\text{mm})$, steel material, resistance class 8.8 (Figure 3-12-5).
4. Manually thread the two conversion kit mounting screws into the valve body. Use a standard screwdriver or T20 Torx bit and tighten the screws with a fixing torque of 25lb-in, plus or minus 5.
5. Note: If the threads of the valve are stripped or damaged, replace the valve.
6. Install the enclosed identification label (G) to the valve body where it can be easily seen.

Warning: Installation should be carried out in a clean environment.

Warning: This modulating conversion kit must only be applied as part of a conversion kit supplied by the appliance manufacturer for specific appliance and type of gas being converted.

Warning: Correct operation of the system cannot be guaranteed if the conversion kit or valve have been dropped or sustained strong impact.



Pressure Regulator Conversion

3.11.3 Burner Ignition Characteristics

Note: Connect gas supply and verify that the minimum inlet and outlet pressures are conforming.

Once the conversion to LPG and all the above steps have been completed, light the main burners.

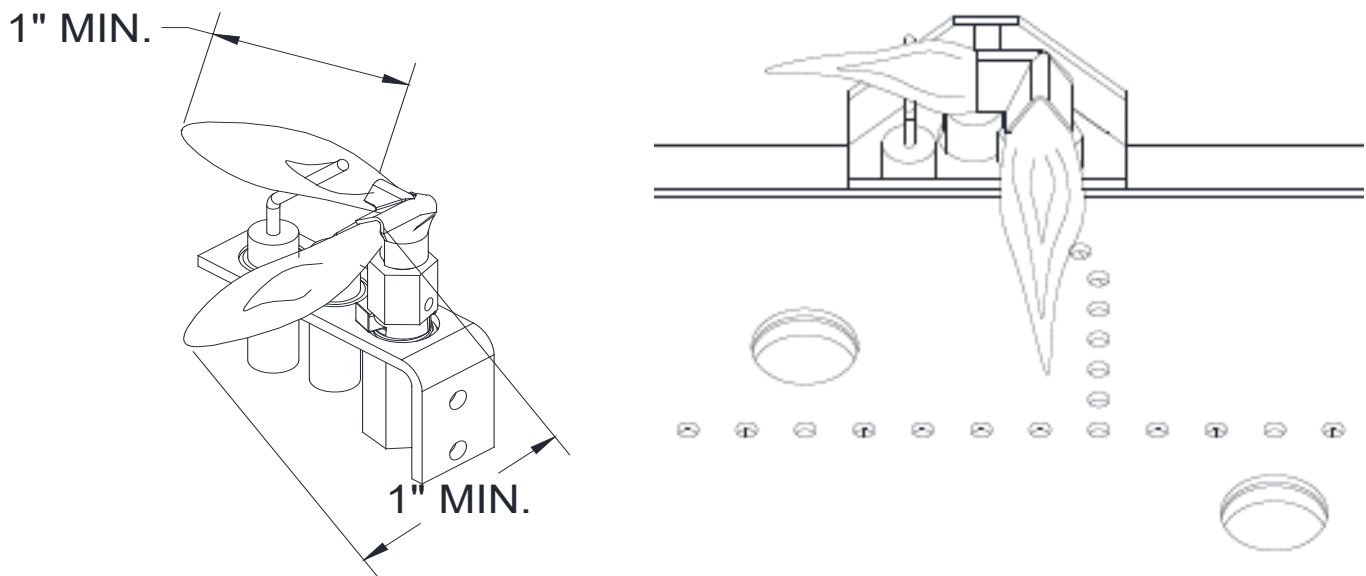
Use remote transmitter to turn on pilot light and burners. Main burner should now light IMMEDIATELY and flame should not "lift" off burner. If there is any delay in ignition or if flame is "lifting off" burner, turn off burner and carefully check for proper installation of logs/coins, vent system and proper pilot flame impingement on burner. Logs or coins must not block pilot flame or main burner flame. Vent system must be leak proof.

WARNING: Do not proceed with operation of this appliance unless burner "cycles" on/off without delays!

3.11.4 Pilot Flame and Burner Relationship Verification

Prior to completing the LPG conversion process, the qualified service technician must light the pilot light and verify the relationship between the pilot light flames and the main burners. The pilot light flames directed towards the propagation ports on the rear and front burner must overlap the propagation ports on the burners.

The pilot light flames must be a minimum of 1" long and must overlap the propagation ports on both the rear and front burners as shown in the diagram, below. Verify that the burner tubes ignite quickly, and the burner flames propagate smoothly along the entire length of the burners.



3.12 VENTING

The 360 FireIn Stove must be vented to the outside and must use one of the approved coaxial rigid ducting systems. **Do Not Use any silicone sealants at pipe joints. Stove gasket cements may be used at pipe joints but is not required.**

The 360 FireIn Stove requires coaxial rigid- 4" diameter exhaust & 6-5/8" diameter air inlet and approved vent caps. All UL Listed Coaxial Rigid 4 X 6-5/8" Vent pipe components and vent caps are approved for use. Do not mix components of different brands or series. Always use the same brand and series components throughout the entire vent system.

All warranties will be voided and serious fire, health or other safety hazards may result from any of the following actions: Installation by unauthorized personnel; installation of any damaged component; unauthorized modification of vent system; installation of any components not approved by Mendota; failure to meet all clearance requirements; failure to properly twist-lock and positively seal all components. Consult local building codes before beginning the installation.

WARNING: Always maintain required clearances (air spaces) to combustibles to prevent a fire hazard. Do not fill air spaces with insulation. Check installation instructions for minimum clearance requirements between the outer walls of the vent pipe and nearby combustible surfaces. Be sure to check the vent termination clearance requirements from decks, windows, soffit, gas regulators, air supply inlets, and public walkways, as specified in these installation instructions and local building codes.

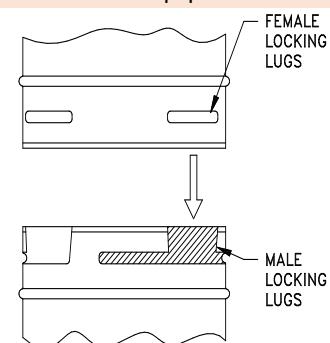
SAFETY PRECAUTIONS FOR THE INSTALLER: 1) Wear gloves and safety glasses for protection; 2) Exercise extreme caution when using ladders or on rooftops; and 3) Be aware of electrical wiring locations in walls and ceilings.

This gas appliance and vent system must be vented directly to the outside of the building, and never attached to a chimney serving another solid fuel or gas burning appliance. Each direct vent gas appliance must have its own separate vent system. Common vent systems are prohibited.

To assure proper venting performance of this high-performance Mendota direct vent appliance, it is critical that all brands of vent pipe sections are sealed tightly and leak-proof. This means that all pipe sections must be carefully rotated into the fully "twist-locked" position.

We strongly recommend that fixed length pipe sections be used in place of telescoping sections whenever possible.

NOTE: The venting system shall be installed in accordance with the appliance manufacturer's instructions. Appliances shall be installed so as to prevent accumulation of condensate in the venting system. For direct vent designs, proper reassembly and resealing of the vent-air intake system is crucial after disassembly.



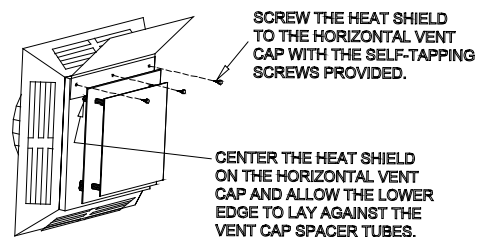
3.12.1.1 COMPONENT "TWIST-LOCK" CONNECTION PROCEDURE

DuraVent and American Metals pipe and fittings are designed with special twist-lock connections. Twist-lock procedure is as follows: four (4) indentations, located on the female ends of pipes and fittings are designed to slide straight into the male ends of the adjacent pipes and fittings, by orienting the four pipe indentations so that they match and slide into the four entry slots on the male ends.

Push the pipe sections completely together then twist-lock one section clockwise, approximately ¼ turn until the two sections are fully locked. The female locking lugs will not be visible from the outside on the black pipe or fittings. They may be located by examining inside of the female ends.

3.12.1.2 Wall Heat Shield for Horizontal Vent Caps

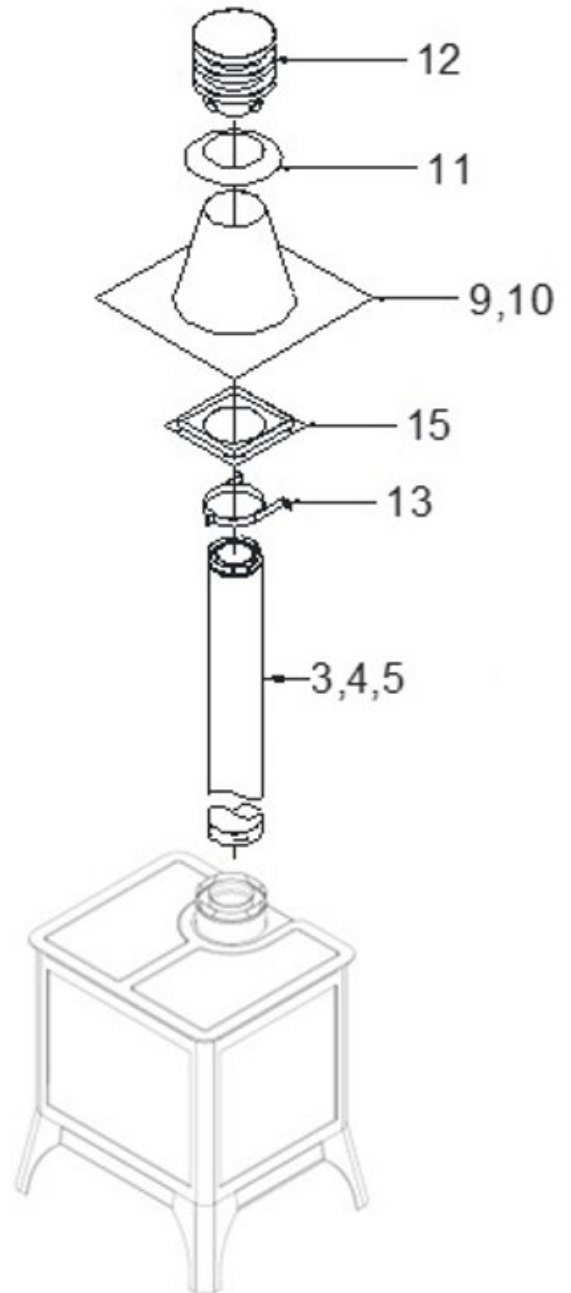
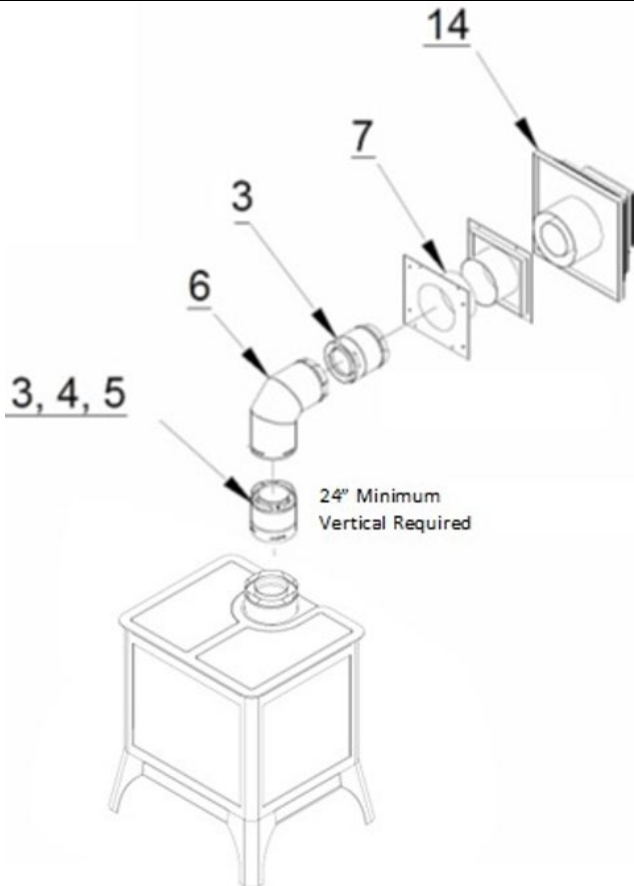
Always use heat shield (#AA-11-00458) when the exterior wall covering is made of vinyl, wood or other combustible materials. Heat shield (#AA-11-00458) or an equivalent heat shield shall be installed. Heat shield (#AA-11-00458) is available for order directly from Mendota appliances.



3.12.1.3 Flue Venting Components Identification Diagrams

Prior to installing at altitudes higher than 7500, please contact the Mendota technical service department for specific venting requirements and venting restrictions.

ITEM	DESCRIPTION
1	6" or 7" PIPE (DuraVent 6"/Amerivent 7"), 9", 12"
2	12" VENT STACK
3	24" VENT STACK
4	36" VENT STACK
5	48" VENT STACK
6	90° GALVANIZED ELBOW
6a	45° GALVANIZED ELBOW
7	ADJUSTABLE WALL THIMBLE
8	ATTIC INSULATION SHIELD 12"
9	ROOF FLASHING (0/12 TO 6/12)
10	ROOF FLASHING (7/12 TO 12/12)
11	STORM COLLAR
12	VERTICAL VENT CAP
13	SUPPORT BAND
14	HORIZONTAL VENT CAP
15	FIRE STOP SPACER



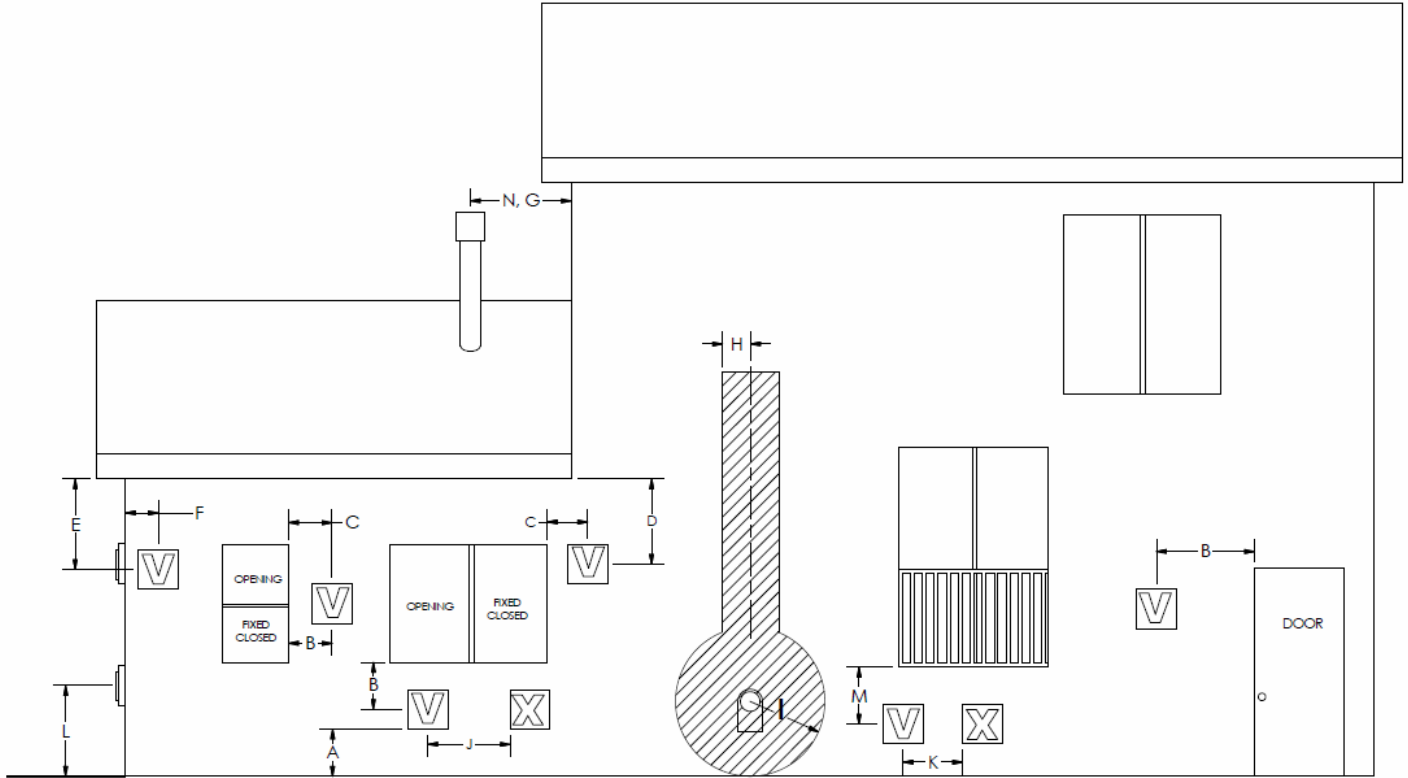
3.12.1.4 Masonry Conversion Kit

This appliance can be used with the Mendota Masonry Conversion Kit part number AA-11-03999.

3.12.1.5 Exterior Vent Locations and Restrictions

Note: All measurements are to be taken from the center of the vent cap.

Note: The vent for this heater shall not terminate: Over public walkways; or Near soffit vents or crawl space vents or other areas where condensate or vapor could create a nuisance or hazard or cause property damage



∇ - Vent Terminal		∧ - Air Supply Inlet		≡ - Area where terminal is not permitted	
A =	Clearance above grade, veranda, porch, deck, or balcony (*18 inches (45 cm) minimum)	H =	*Not to be installed above a meter/regulator assembly within 3 feet (90 cm) horizontally from the center-line of the regulator; within a height of 15 feet		
B =	Clearance to window or door that may be opened (*18 inches (45 cm) minimum).	I =	*Clearance to service regulator vent outlet *3 feet (92 cm) minimum.		
C =	*Clearance to permanently closed window (minimum 18 inches (45 cm) recommended to prevent condensation on window)	J =	*Clearance to non-mechanical air supply inlet to building or the combustion air inlet to any other appliance. 12 inches (30 cm) minimum.		
D =	*Vertical clearance to ventilated soffit located above the terminal from the center-line of the terminal 18" (45 cm) min. Minimum 24" (60 cm to Vinyl Soffit)	K =	*Clearance to a mechanical air supply inlet In USA, 3 feet minimum above, if within 10 feet horizontally. In Canada, 6 feet minimum		
E =	*Clearance to unventilated soffit 18" min (45 cm) min. Minimum 24" (60 cm to Vinyl Soffit)	L =	□ Clearance above paved side-walk or a paved driveway located on public property (*7 feet (2.1 m) minimum)		
F =	Clearance to outside corner - 12 inches (30 cm).	M =	Clearance under veranda, porch, deck, or balcony (*18 inches (45 cm) minimum □)		
G =	Clearance to inside corner - 12 inches (30 cm). Vinyl surfaces require 24" min (60 cm).	N =	Minimum 24" horizontal clearance to any surface, such as an exterior surface, for vertical terminations.		

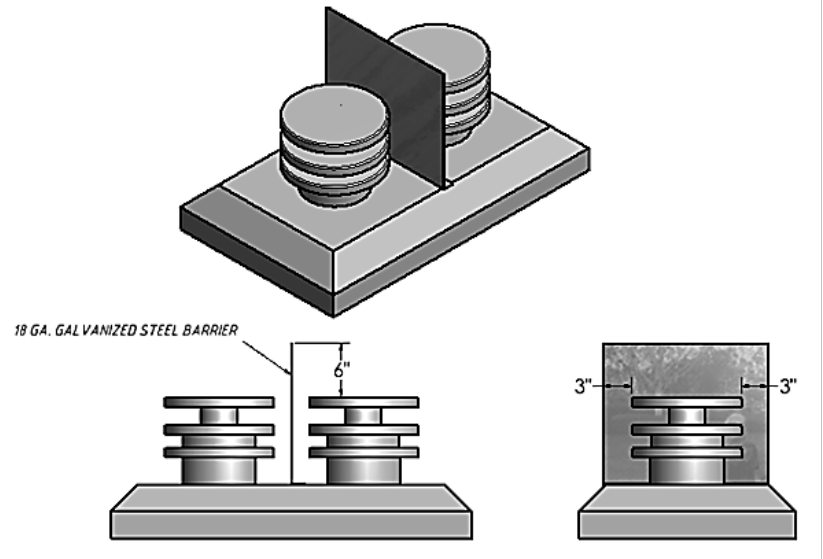
3.12.1.6 Side by Side installation of two Vent Caps

When two or more vertical vent caps are located within proximity of one another, it is required that a galvanized steel 18-gauge or heavier barrier wall be installed between the two vent caps to eliminate recirculation of exhaust gases from one cap to another.

The galvanized steel barrier shall be 6" taller than the highest point of the vent caps and shall be 3" wider past the outer edges of the vent caps.

If two gravity direct vent system gas appliances are terminated next to each other, the minimum required distance between the vertical center line of the vent caps is 18" to prevent recirculation of exhaust from one vent cap outlet into the air intake of another vent cap.

If a wood burning flue opening is adjacent to a gravity direct vent system gas appliance vent cap and the distance between vertical center lines of the two terminations is less than 36", we recommend a metal divider plate be installed to prevent wood burning exhaust from entering the gas appliance air intake path. Alternatively, you may also vertically extend the wood burning flue liner up 24" higher than the top surface of the gas appliance vent cap.



WARNING: Proper installation of the vent system, as required in this manual, is vital to the performance of this appliance. Oversights or failure to conform to all installation requirements will void the applicable warranty.

The appliance must be vented vertically to the outside and must use one of the rigid coaxial ducting systems.

This heater must be properly connected to a venting system in accordance with the manufacturer's installation instructions. Operation of this heater when not connected to a properly installed and maintained venting system can result in carbon monoxide (CO) poisoning and possibly death.

If the vent system of this appliance is disconnected for any reason, the vent and air intake systems must be properly reassembled and resealed before this appliance is put into use.

CAUTION: Each installation must conform to all local, state, and national codes. Refer to the national fuel gas code and local zoning and code authorities for details on installation requirements. The Mendota appliances must be vented to the outside in accordance with the latest edition of the National Fuel Gas Code. In the absence of local codes, the installation must conform with National Fuel Gas Code ANSI Z223.1 (NFPA 54), or Canadian Code CAN1-B149 or most current edition, also known as NFPA 54. Do not connect this appliance to a chimney flue serving a separate solid fuel or gas-burning appliance.

Do Not Use any silicone sealants at pipe joints. Stove gasket cements may be used at pipe joints but is not required.

3.12.1 Required Clearances to Vent Pipes

- Clearance to top of a horizontal vent pipe or the top of a horizontal discharge elbow shall be 3" minimum.
- Clearance to the sides of a horizontal vent pipe and elbows shall be 1" minimum.
- Clearance to the bottom of a horizontal vent pipe and elbows shall be 1" minimum.

3.12.2 Wall Thimble Information

A wall thimble is required to be installed when penetrating any combustible wall, regardless of whether the wall is an internal wall or an external wall.

Wall thimbles are designed to reduce the required clearances to the exterior surfaces of the vent pipe that pass through combustible walls. The hole size that is specified to be cut in the wall for installation of the wall thimble takes into consideration the reduced clearance requirement.

3.12.3 Stove Master Venting Chart

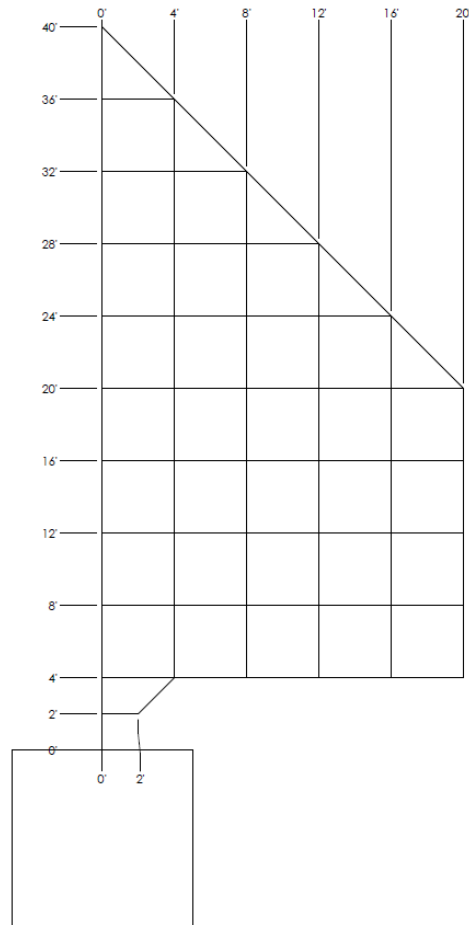
Note: This chart is applicable to both natural gas and LP installations.

- 24" minimum vertical pipe run required to be connected directly to this appliance's flue starter collar.
- The maximum horizontal run allowed with the minimum 24" vertical run is 24".
- The maximum vertical run allowed is 40'.
- The Maximum vent system length allowed is 40'.
- 20' maximum horizontal run allowed with a minimum 4'-20' vertical starter section.
- For all horizontal terminations three 90° elbows allowed, max horizontal run must be reduced 3' for every 90° elbow installed after the first 90° elbow.
- For all vertical terminations, four 90° elbows allowed. However, the fourth 90° elbow must point vertically and directly to the vent termination cap.
- Horizontal runs require ¼" rise per foot of run.

V min	H max
24"	24"
36"	36"
48"	20'
20'	20'
20' – 40'	Varies

3.12.4 High Altitude Installation Information

Prior to installing at altitudes higher than 7500, please contact the Mendota technical service department for specific venting requirements and venting restrictions.



3.12.5 Maximum Horizontal Run

- ❑ Maximum Horizontal Run allowed is 20' if a vertical starter section that is between 4'-20' is connected directly to this appliance's flue starter collar.
- ❑ Maximum Horizontal Run allowed is 24" if a 24" starter vertical section is connected directly to this appliance's flue starter collar.

3.12.6 Maximum Vent System Length

- ❑ Combined total length of all straight pipe sections in the vent system shall be less than 40'.

3.12.7 How to Calculate the Vent Lengths

For calculation purposes and usage of charts in this manual, simply add the lengths of all individual straight pipe sections. For example: if you use two 2' lengths and one 4' length, the total vent system length will be $2+2+4 = 8$ feet.

3.12.8 Using 90° Elbows

This appliance allows maximum flexibility in the use of 90° elbows in the vent system. The length of the first straight vertical section directly connected to the appliance's starter collar determines the maximum horizontal run and the number of 90° elbows allowed for this appliance.

For vent systems that provide a starting vertical section that is 4' to 20', you may connect up to 20' of horizontal pipe and up to three 90° elbows. For all vertical terminations, four 90° elbows can be used the fourth elbow must point vertically. The maximum horizontal run must be reduced by 3' for every 90° elbow installed after the first 90° elbow.

3.12.9 Using 90° Elbows When the Initial Starter Vertical Section Is Less Than 4'

For vent systems that provide a starting vertical section less than 4' the following rules apply:

- A. You must use the Master Venting Requirements Chart.
- B. A single 90° vertical-to-horizontal elbow is already calculated into the allowable maximum horizontal run. The Venting Requirements Chart assumes that for all horizontal runs calculated, one 90° elbow is used within the venting system.

Note: Each additional 90° elbow reduces the maximum horizontal distance allowed by 3'.

- C. If you plan to use more than one 90° elbow within the vent system, first use the Venting Requirements Chart and calculate the maximum horizontal run you are allowed based on the first vertical section connected directly to the appliance. From this maximum horizontal run calculated, subtract 3' for each additional 90° elbow you will use.

Example: Assume you are using a 20' long starter vertical section. This should allow, per the Master Venting Chart, 20' of horizontal run. If you want to use three 90° elbows, subtract 6' for two elbows from the 20' maximum allowed (3' for each elbow after the first elbow). This yields 14' as the maximum horizontal run that you are allowed to install using the 20' vertical starter section.

Caution: If a vertical-to-horizontal discharge elbow or a horizontal-to-horizontal discharge elbow is enclosed within a wall, floor or ceiling, a top air space clearance of 3" must be maintained above the entire body of the elbow.

3.12.10 Using 45-Degree Elbows

Two 45-degree elbows may be used in place of one 90-degree elbow. On 45-degree runs, one foot of diagonal pipe is equal to 8-1/2 inches horizontal run and 8-1/2 inches vertical run.

Two 45-degree elbows may be connected directly to the top of this appliance to create a horizontal offset. 20 feet maximum horizontal run allowed with this offset configuration only if the first vertical section connected directly to the last 45-degree elbow is more than 4 feet to 20 feet long. For maximum allowable horizontal distances with the 45-degree offsets, see the Master Venting Configuration Chart.

Note: Each horizontally positioned 45° elbow reduces the maximum horizontal distance by 1½'.

3.12.11 Vent Pipe Support

- ❑ Horizontal runs of pipe will require one vent support for every 3 ft. of pipe. Horizontal runs require ¼" rise per foot of run.

3.12.12 Minimum Rise Horizontal Termination

The appliance must be installed by a qualified Mendota approved serviceperson.

A maximum horizontal run of 24" is allowed if a 24" vertical starter section and one 90° elbow is connected directly to this appliance's flue starter collar. The horizontal centerline of the 90° elbow will be 59-3/4" up from the floor level of this appliance.

Caution: The distance from floor level to the centerline of the vent cap is based on Simpson DuraVent components. If using vent components of another brand, do not assume that the measurement given here is applicable. Verify the distance to the centerline of vent cap by measuring the components you are using.

Use "fixed" pipe sections in place of adjustable pipe sections wherever possible.

Always maintain 1" clearance from vent pipe sides and bottom to combustibles, 3" clearance on top of pipe on horizontal runs and on top of horizontal discharge elbows. Do not fill air spaces with insulation or other material.

Position appliance in desired location. See guidelines on proper vent cap placement on the exterior of the home. Check to determine if wall studs are in the way when venting system is attached. If this is the case, you may want to adjust the appliance location or modify the exterior wall framing to allow the vent system to penetrate the wall.

Measure from the floor level of the appliance up 59-3/4" inches [add 1/4" rise for every foot of horizontal run] and mark wall directly at the center of where the vent pipe will penetrate the exterior wall.

Cut and frame a 9-1/4" wide x 10-1/4" high opening in the wall. The hole must be positioned so the vent system will run level or have a 1/4" rise per foot of run AND be perpendicular to the wall.

The height of the opening must be located to meet all local and national building codes. Do not allow the termination to be easily blocked or obstructed. If the wall being penetrated is non-combustible material, i.e. masonry block, brick, etc., a 9-inch diameter hole is acceptable.

Attach the 24" straight section to the appliance starter adapter. Attach a 90° elbow to the top of the 24" vertical starter section and rotate and lock in position. Attach a horizontal section to the 90° elbow. Be sure all vent component connections are in their fully twist-locked position and are leak-proof.

The length of the horizontal piece that fits through the wall will be determined by the location of the appliance relative to the wall.

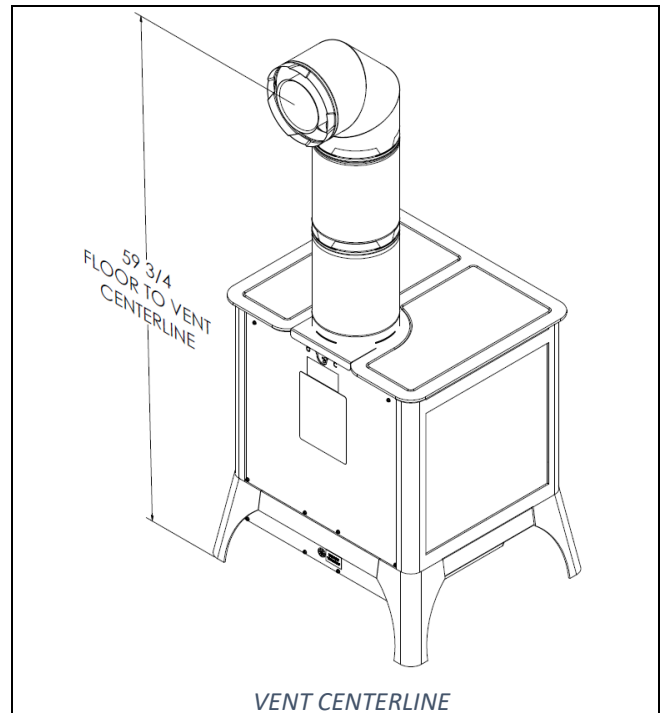
There **must be a minimum** of 1" air space clearance to combustibles from all vent components (3" above horizontal runs and horizontal discharge elbows).

A wall thimble must always be used when penetrating combustible wall materials.

From the exterior of the home, slide the horizontal vent cap over the end of the horizontal pipe and tightly secure the cap to the wall with screws. Seal with a high-quality caulking.

NOTE: Combustible wall thickness must be 4" to 8" maximum

NOTE: Vent Cap should not be recessed into wall or siding.



3.12.13 Vertical Rise Horizontal Termination

The minimum vertical section required to be connected directly to the starter adapter on this appliance is 4' when used with a maximum horizontal run of 20'. If the total length of the vertical sections connected directly to the starter adapter on this appliance is between 4' and 20', you are allowed a maximum 20' horizontal run. This appliance provides maximum flexibility in the use of 90° elbows when more than 4' of vertical starter section is connected to the starter collar. If 4' or more vertical section is connected to the starter collar, you may use three 90° elbows for horizontal terminations. For other venting configurations within these maximum limits, see Master Venting Chart.

The combined total length of all pipe sections in the vent system should be less than 40'.

NOTE: The horizontal run of vent pipe must have a ¼" rise for every 1' of run toward the termination. Never allow the vent to run downward. This will cause poor draft, high temperatures, and the possibility of a fire.

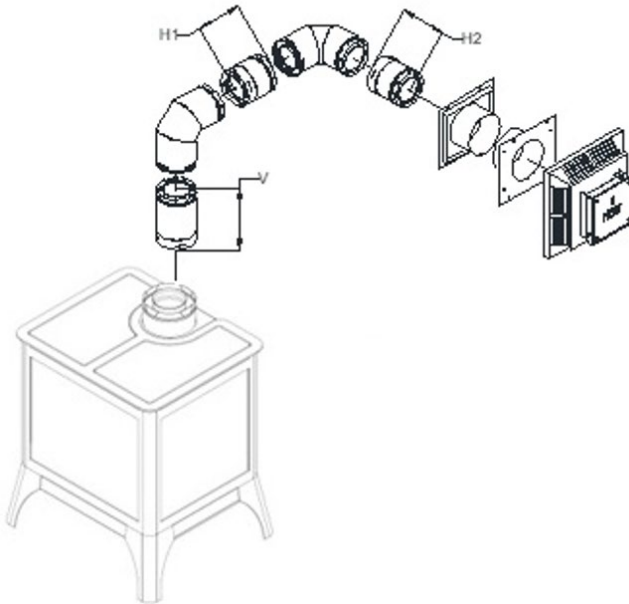
Follow these steps to install venting:

1. Position appliance in desired location. Check to determine if wall studs are in the way when vent system is attached. If this is the case, you may want to adjust the appliance location.
2. Locate where vent pipe will pass through any ceilings and will penetrate the outside wall. Since vent pipe sections "overlap," we suggest pre-assembling and measuring the total vent pipe run so you can more accurately locate the point where the vent pipe will penetrate the outside wall. Be sure all vent components are properly twist locked and leak-proof. Be sure 1000°F sealant is used in the inner pipe joints of all pipe sections manufactured by Simpson DuraVent.
3. Cut and frame a 9-1/4" wide x 10-1/4" high opening in the outside wall openings and 9-1/4" wide x 10-1/4" high opening in ceiling openings. The outside wall hole must be positioned so the vent system will have a ¼" rise per foot on horizontal runs and be perpendicular to the wall. The height of the opening must be located to meet all building codes and not allow the termination to be easily blocked or obstructed. A ceiling fire stop spacer is required at any floor (ceiling) opening.
4. The horizontal pipe must end flush with the exterior wall of the home. The horizontal pipe will require a proper support for every 3' of vent pipe. **There must be a minimum of 1" clearance to combustibles from all vent pieces on the sides and bottom and 3" above horizontal runs.**
5. A wall thimble must always be used when penetrating combustible wall materials.
Note: Combustible wall thickness must be 4" to 8" maximum.
Note: Do not separate telescoping section. They must be used as complete assemblies.
6. From the exterior of the home, slide the horizontal vent cap over the end of the horizontal pipe and tightly secure the vent cap to the wall with screws. Seal with high-quality caulking around the outer perimeter of the vent cap.
Note: Vent cap should not be recessed into wall or siding.

V(4' MIN)	H1 + H2 MAX
4'	1'
4' – 20'	17'

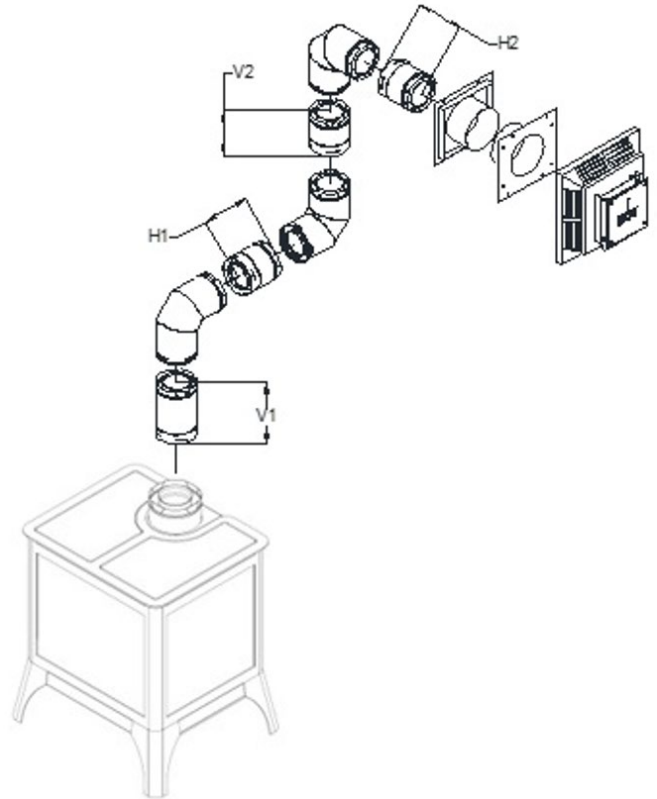
For V greater than 20', see Master Venting Chart

VERTICAL RISE
DUAL 90° ELBOWS
HORIZONTAL TERMINATION



Vertical Rise
Three 90° Elbows
Horizontal Termination
Use the Master Venting Chart to calculate allowable lengths.

- V1 must be 4'
- Max combined length of H1+H2=14'
- Total vent length must be less than 40'



3.12.14 Vertical Through-The Roof Venting

The maximum vertical run of vent pipe is 40 ft. from the top of the appliance. The appliance will support a run of a maximum of 40 ft. Maintain 1" air space clearances on all sides of vents (3" above horizontal runs).

If an offset is required directly on top of the appliance, two 45° elbows may be connected directly to the top of this appliance to create a horizontal offset then to run upwards vertically. Doing so will continue to allow the use of the 40 feet maximum vertical run.

Follow these steps to install venting:

1. Place the appliance in its desired location. Drop a plum bob from the ceiling to the position of the appliance flue exit. Mark the location where the vent will penetrate the ceiling. Drill a small hole at this point. Next, drop a plum bob from the roof to the hole previously drilled in the ceiling. Mark and drill the spot where the vent will penetrate the roof. Determine if ceiling joists, roof rafters or other framing will obstruct the venting system. You may wish to relocate the appliance or to offset, to avoid cutting load bearing members.
2. Cut and frame a 9-1/4" x 9-1/4" opening in the ceiling centered on the hole drilled in Step No. 1.
3. To determine the length of the vent pipe required, measure the distance from the appliance flue outlet to the ceiling, the ceiling thickness, and the vertical rise in the attic or second story and allow sufficient vent height above roofline. For two story installations, fire stops are required at each floor level. If an offset is needed in the attic, additional pipe and elbows will be required.
4. Assemble the desired lengths of vent pipe and elbows to reach from the appliance flue outlet. Ensure that all vent pipe and elbow connections are in their fully twist-lock position and that inner pipe joints are sealed and are leak-proof. Maintain 1" airspace clearances to combustibles (2" above horizontal runs). Cut a 10" x 10" opening in the roof, centered in the small drilled hole placed in the roof in No. 1. The opening should be a sufficient size to meet all clearance requirements. Continue to assemble lengths of pipe and elbows necessary to reach up through the roofline. Galvanized pipe and elbows may be utilized in the attic, as well as above the roofline. The galvanized finish is desirable above the roofline due to its higher corrosive resistance.
5. If an offset is necessary, it is important to support the vent pipe every 3 ft. to avoid excessive stress on the elbows and possible separation. Wall straps are available for this purpose.
6. Slip the flashing over the pipe sections protruding through the roof. Secure the base of the flashing to the roof with roofing nails and seal flashing to roof. Ensure the roofing material overlaps the top edge of the flashing. Verify you have at least the minimum clearance to combustibles at the roofline.
7. Continue to add pipe sections until the pipe and the vent cap meet the minimum building code requirements, as outlined in No. 8 on the following page.

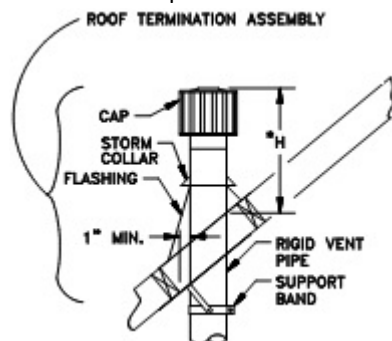
For multi-story vertical installation, a ceiling fire stop is required at the second floor and any subsequent floors. The opening should be framed to 10" x 10" inside dimensions as described in step No. 5.

Add an attic insulation shield to keep attic insulation materials away from vent pipe.

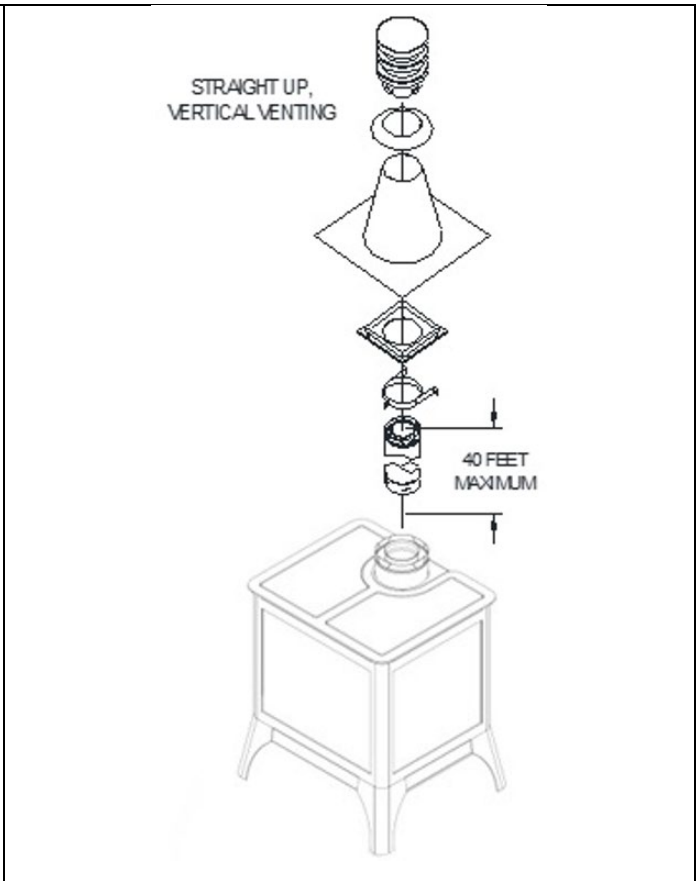
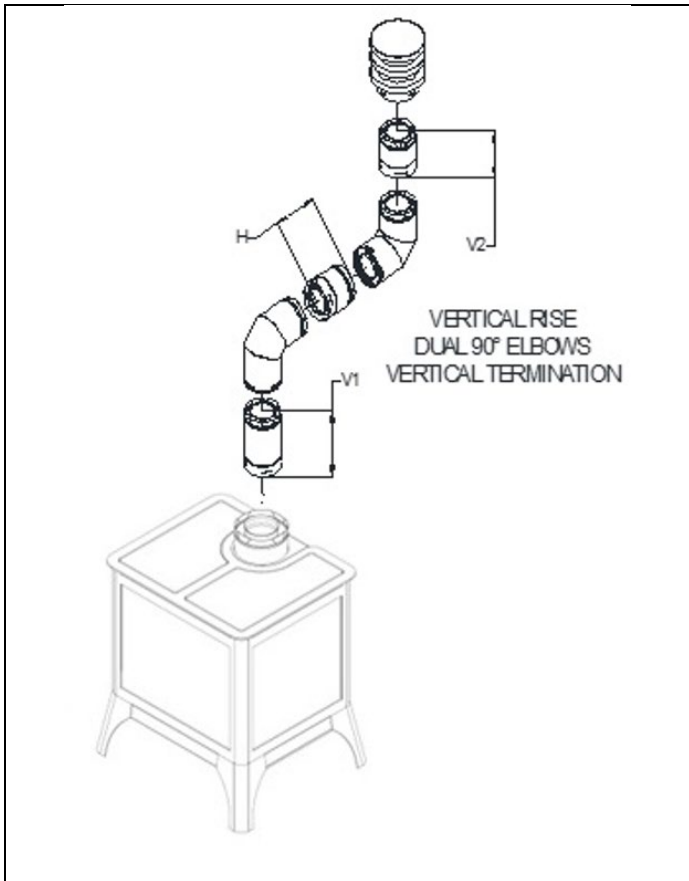
8. Any occupied areas above the first floor, including closets and storage spaces, which the vertical vent passes through, must be enclosed. The enclosure may be framed, and sheet rocked with standard construction materials, however, be sure to maintain minimum allowable clearances between the outside of the vent pipe and the combustible surfaces of the enclosure.

Height "H" from roof surface to the top of vent cap can be determined as follows:

Complete installation with storm collar and vent cap.



ROOF PITCH	"H" DIMENSION	
	FEET	METERS
FLAT to 6/12	2	.6
7/12 to 9/12	2	.6
10/12 to 12/12	4	1.2
13/12 to 16/12	6	1.8
17/12 to 21/12	8	2.4

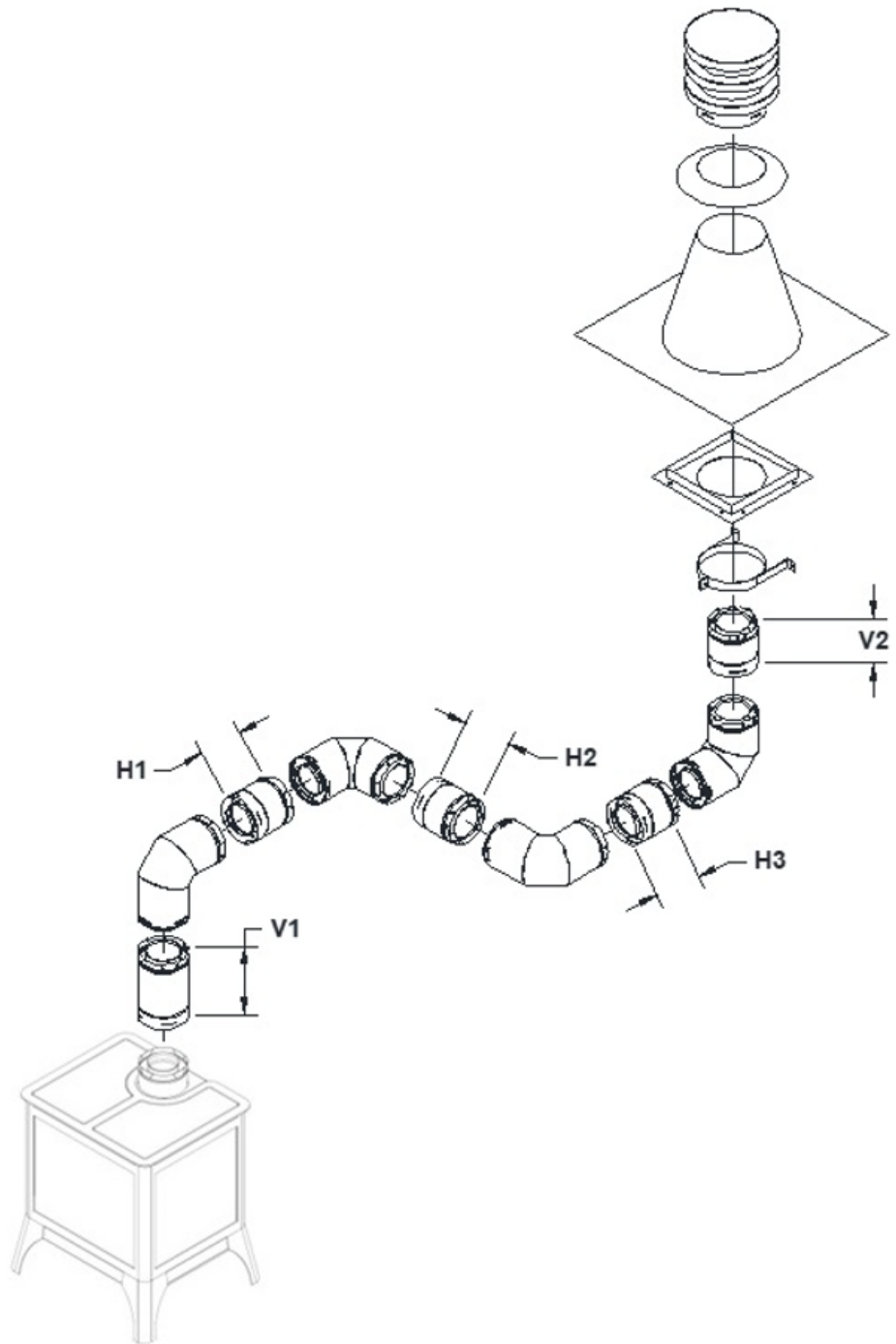


3.12.15 Vertical Through-The-Roof Venting Using Four 90° Elbows

Four 90° elbows can be used if terminating vertically.

The use of Four 90° elbows must meet some minimum prerequisites.

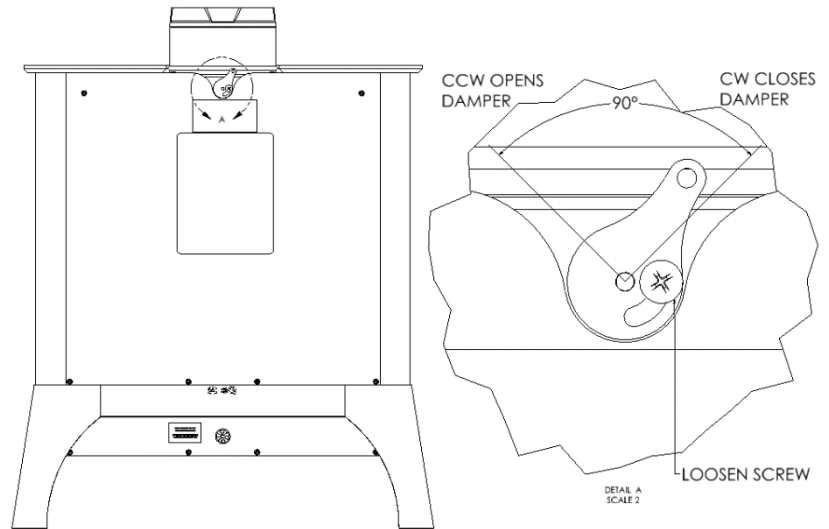
- 1: The vent system must terminate vertically using a vertical vent cap.
- 2: There must be a minimum of 4 feet of vertical starter section connected directly to the top of this appliance.
- 3: Max vent length 40'
- 4: Max horizontal run 11' (20'-9" for three 90° elbows)



3.12.16 Vent Damper Adjustments

This appliance is equipped with a vent damper system that can be adjusted using the glass latch tool. Locate damper adjustment lever under the vent trim collar. If this appliance's vent is terminated horizontally, DO NOT CLOSE the vent damper completely. Adjust position of damper by judging the flame characteristics after 20 minutes of burn time. If the flames ghost off burners or if sooting occurs [in LPG units], open the vent damper FULLY and work backwards in increments to determine the correct damper position for that particular installation.

Note the Damper Position Indicator. Hook glass latch tool in the hole at the end of the damper lever, turn clockwise to close the vent damper.



3.13 LOG SET/ MEDIA INSTALLATION

Two distinctive wood species log sets are available as options for this model appliance.

1. White Oak Log Set
2. Birch Log Set

Installation Instructions for each log set are included with the individual log set. Follow those instructions to install one log set.

Note: Installer, save and give the copy of the Log Set Installation Instructions to the homeowner for future references.

3.14 LIGHTING CHECKLIST

Be sure to check these items before final operation of the appliance.

- All items on the "Installation Checklist" must be completed.
- Carefully follow all lighting and log installation instructions. Make certain that pilot flame lights immediately and lights both front and rear burners.
- Check for Gas leaks and gas pressures prior to installing facing materials.
- Fresh batteries are in remote control. Follow "First-Time Lighting Instructions" to synchronize the remote control and the ignition module.
- Air shutter opening is checked see next page for details.
- All lighting and log installation instructions were followed.
- Burners light immediately and flame runs promptly around rear burner and lights entire burner.

Note: Do not proceed with operation unless the burner cycles "on/off" without delays.

- Flame is "stable" and does not "lift" off burner. If flame lifts off burner, turn unit off and check that all vent pipes are "twist locked" and leak proof, the vent cap is "right side up". Do not proceed with operation if flame is "lifting off" burner.
- DO NOT proceed with operation unless burner cycles "on/off" without delays and the flame is "stable" and not "lifting" off burner after 5 minutes of initial ignition.

Caution: If the ignition system goes into lockout mode, be sure to wait a minimum of five minutes before re-lighting.

3.15 AIR SHUTTER CONTROL AND FLAME APPEARANCE

During initial installation, the air shutter opening should be checked and set as described below:

Nat Gas - Burner Tubes: 1/8", Pan Burner: 3/8"

LP Gas - Burner Tubes: Fully Open, Pan Burner: Fully Open

NOTE: For altitudes above 4,500', some variations may be required.

Be sure burner and logs are properly installed. After log set has been properly installed, adjustments to the air shutter shall be made for final flame appearance. These small shutter adjustments can be made by the following procedure:

NOTE: All adjustments to the air shutter setting must be made by a qualified installer, service agency, or the gas supplier. Very small changes in shutter settings make major changes in flame appearance.

Note: Three tube air shutters exist. One for the pan burner and one for each angled burner. All burners need individual adjustment for flame color and glow effect control.

1. Air shutters are located on each burner tube.
2. If the flame is too blue, close the shutter in small 1/8" increments until flame turns desired realistic yellow.
3. If a flame is causing soot on logs or viewing glass open the air shutter until the flame burns clean.
4. IMPORTANT: Try each new shutter setting approx. ½ hr. before making additional changes.

LPG Air shutter settings hint: A properly adjusted air shutter setting will yield burner flames that have an approximate 2" high blue color base. If yellow colored flames are starting at burner level, air shutter is closed too far and will create soot. If you observe that the flame is yellow starting very close to or at the burner surface level, open air shutter. Also, if a log or part of a log is suspended and hanging inside a yellow portion of the flame, soot can form easily on the part of the log that is inside the yellow flame area.

IMPORTANT: Try each new shutter setting approx. ½ hr. before making additional changes. NOTE: Changes in front burner flame can be made by re-arranging the coals and front burner air shutter opening.

4 HOMEOWNER INFORMATION

Welcome to Mendota. We are proud to be the makers of world-class direct vent stoves and fireplaces. We understand that an appliance is a long-term investment, and we are happy you have chosen us to be a part of your family. We are committed to quality and satisfaction for all Mendota owners. Thank you for choosing a Mendota to be a source of comfort and beauty in your home.

We have designed this manual to help you enjoy all that your Mendota has to offer. You will find tips, operating instructions, and frequently asked questions to support the features and functions of your appliance.

We want you to enjoy your Mendota for years to come. If you have any additional questions regarding operation of your appliance, please contact your Mendota local dealer.

4.1 AESTHETIC CONSIDERATIONS

Burning or static appliances are a major aesthetic focus in any room. In addition to offering the most realistic log details, textures, coloration and the most realistic wood fire options, Mendota also offers a large array of internal firebox lining options and external decorative options. Visit www.mendotaearth.com and your local Mendota dealer's show room to view all options available.

4.2 HEATING PERFORMANCE

Mendota's high heat output appliance will heat a large area of your home. Air movement options for maximizing heat circulation that can be considered are operating the appliance's convection blowers, continuous operation of central heating furnace blowers or room ceiling fans. The heat output of the appliance can be reduced by turning off the tube burners and reducing flame height using the remote control. Blowers can be turned down or turned off to reduce heat distribution.

4.3 IMPORTANT INFORMATION FOR HOMEOWNER

Before you begin operation of your gas appliance, read and familiarize yourself with information provided in the following chapter of this manual:

[Chapter 3.2.1 Mendota Appliance Curing Instructions](#)

4.4 OPERATING INFORMATION

4.4.1 Using Your Remote Control

Your Mendota remote control is pre-programmed to your appliance. Ensure you have installed 3 AAA batteries into your remote.

Press the top button on the remote control. If you do not hear a beep when you press this button, follow the instructions below to synchronize your appliance and remote control.

4.4.2 Synchronizing the Appliance and Remote Control

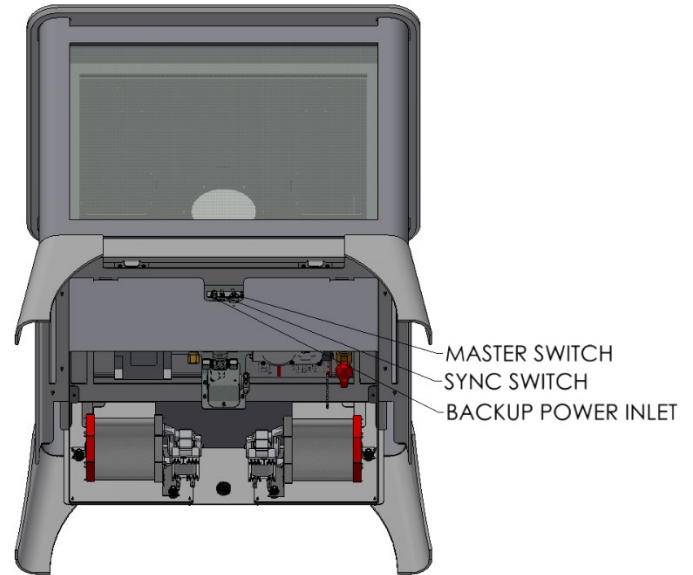
Note: The master switch and sync switch are located on the bottom center of the appliance in the cutout in the component shroud.

Master Switch The master switch acts as the main safety on/off control for the main gas burners only. When the master switch is in the off-condition, the main gas burners will not turn on. However, all other appliance functions, including the standing pilot mode, will operate. When the master switch is in the on-condition, the main burners will function as designed.

In case of an emergency, toggle the master switch to off to turn off the main burners.

To synchronize the appliance and remote control, follow the steps below:

1. Toggle the **master switch** to “on” (toggle up).
2. Locate **sync switch** (in center cut out of component shroud). Press the sync button and release. The appliance will **beep three times** indicating that it is ready to synchronize with a remote control. (Note: If you do not hear any beeps when you press the sync button, contact your Mendota dealer or installer for assistance.)
3. Within seven seconds, press the “on” button on the remote control. The appliance will **beep four times** to indicate that the remote control’s command is accepted and sets to the particular code of that controller. **Your system is now initialized.**



4.4.3 Remote Control Functions

NOTE: You will hear an audible beep once every time a remote-control button is pressed, signaling that the command has been received. If you do not hear the beep, press the button again.

Locate the four function buttons on the remote control:

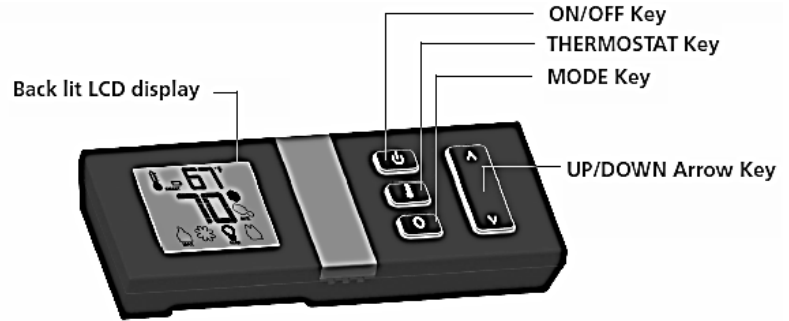


Figure 4-1 Remote Control Buttons

1. **On/Off Button:** This button turns the appliance on or off. When this button is pressed and the system is off, the pilot will ignite. After pilot ignition, the pilot will light the main burners. Refer to IPI and CPI Modes in this manual for pilot ignition.
2. **Thermostat Button:** This button will allow the selection of three modes: Manual, Normal Thermostat, and Smart Thermostat.
 - a. **Manual (Off):** In this mode, the appliance can be turned on, regardless of the room temperature. The actual room temperature has no effect in this mode. All other functions such as fan speed control, flame height control, secondary burner on/off control and accent light intensity controls are manually controlled.

WARNING: Do not leave this appliance burning and unattended for long periods in the manual(off) mode. Leaving the appliance burning in manual (off) mode for long periods can lead to overheating of the living space which can negatively affect plants, animals, infants, and vulnerable people.

Note: In Manual Mode, the appliance will automatically shut off after 12 hours of continuous use. In Normal Thermostat and Smart Thermostat modes, if the appliance does not receive a prompt from the remote-control transmitter for 60 minutes, the appliance will automatically shut off. This can occur if the remote control is moved to another room or if the remote batteries are very weak.

- b. **Normal Thermostat (On):** In this mode, the appliance will turn itself on and off, depending on the temperature you set. When you set the appliance thermostat, the appliance will stay functioning until the room temperature increases 1°F above the set thermostat temperature. To increase the thermostat temperature, press the up button until the desired temperature is displayed in the thermostat temperature window. The fan will turn on five minutes after appliance startup and will turn off 12-1/2 minutes after the flames turn off, in this mode. The flame height can be adjusted while the appliance is functioning, fan speed can be adjusted after five minutes of startup. Tube burners can be turned on or off at any time after startup.
 - c. **Smart Thermostat (Smart):** In this mode, room temperature is maintained, and flame height adjusts automatically to provide continual, efficient heat. All other functions of the normal thermostat mode, except the flame height adjustment, are allowed. Manual flame height adjustment is not allowed in this mode. The Smart Thermostat function adjusts the flame height in accordance to the difference between the set point temperature and the actual room temperature. As the room temperature gets closer to the set point temperature, the Smart Thermostat automatically modulates the flame down.
3. **Up/Down Button:** This button is used to increase or decrease the thermostat temperature, flame height, and fan speed. This also controls the tube burners on/off.
 4. **Mode Selection Button:** This button is used to toggle between the various function icons: flame height, fan speed, and rear burner.

**Thermostat
Off/On/Smart**



Figure 4-2 Display Modes

4.5 REMOTE CONTROL OPERATING INSTRUCTIONS

4.5.1 To Turn on the Appliance

NOTE: If the appliance does not respond to the remote-control commands, the appliance system may have entered “safety lockout” mode. To reset the system, see [Chapter 4.11.12 Why won't my appliance turn on?](#)

1. Press the on/off button. The remote-control display will show all active icons on the screen.
2. Select the thermostat mode by pressing the thermostat button: OFF (meaning Manual), ON (meaning Normal Thermostat) or Smart (meaning Smart Thermostat).
 - a. If the thermostat icon displays as “OFF” (Manual), the appliance will ignite and start on Hi.
 - b. If the thermostat icon displays as “ON” (Normal Thermostat), the appliance will only ignite if the thermostat temperature is greater than the room temperature.
 - c. If the thermostat icon displays as “SMART” (Smart Thermostat), the appliance will only ignite if the thermostat temperature is greater than the room temperature.

4.5.2 To Turn off the Appliance

Press the on/off button.

4.5.3 Understanding Your Remote-Control Icons

Your remote control displays and controls the following functions. See below for detailed control explanations.

Note: the “AUX On” function is not used in this appliance.

Note: Functions not applicable to this appliance are programmed out of the remote control.

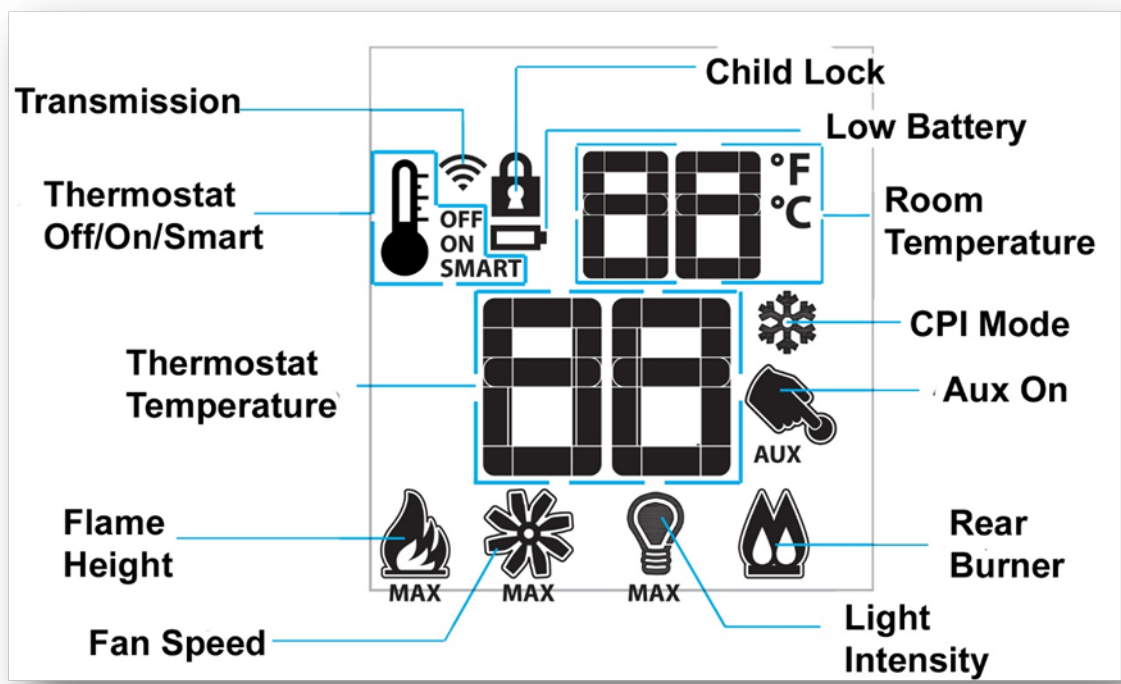


Figure 4-3 Remote Control Icons

4.5.4 Icon Details



Mode Button: Pressing the mode button toggles between the various available functions: flame height, fan speed, accent light intensity and rear burner on/off.



FLAME HEIGHT

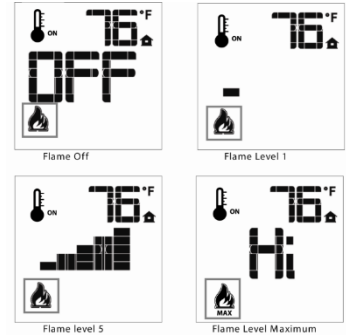
Flame Height: Six flame height levels are available. While the flame height icon is displayed, pressing the up or down button once will increase or decrease the flame height by one of six increments.

If the flame height is at Level one and the down button is pressed, all burners will turn off.

If in IPI mode, the pilot will also extinguish.

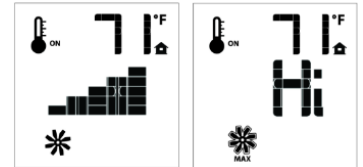
If in CPI mode, the pilot will remain on.

Note: If in Smart Thermostat, the flame height function is not available for manual adjustment. In Smart Thermostat, the flame height regulates automatically.

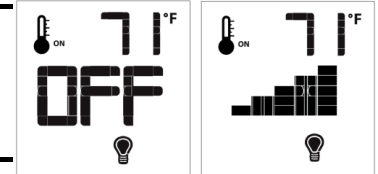


FAN SPEED

Fan Speed Control: The fan speed can be adjusted through six speeds and off. To activate this function, press the Mode button until it displays the fan icon. Use the up/down arrow button to turn on, off, or adjust the fan speed. Once you set the desired fan control, the system will remember your selected fan speed until you manually change it.

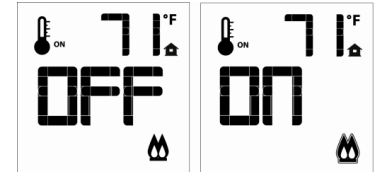


Accent Light: This appliance does not have an accent light.



2nd BURNER

Rear Burner: This function controls the rear burner on/off feature. Pressing the up button in this mode will turn on the rear burner and pressing the down button will turn off the rear burner. The flame height of the front burner will not change when you turn the rear burner on or off. The flame height can only be changed in the Flame Height mode.



4.6 IPI AND PILOT ON DEMAND MODES

Intermittent Pilot and Pilot on Demand Features

This gas appliance is equipped with an electronic ignition system that first lights a pilot then uses the pilot to ignite the main burners. The pilot can be set in the CPI (Pilot on Demand) mode to allow the pilot to remain on for 7 days before timing out by setting the remote control to CPI mode. If the remote control is set to the IPI (Intermittent Pilot Ignition) mode, the pilot will only light and remain ON while the main appliance burners are operating.

IPI Mode: This mode turns the pilot off when the appliance is not functioning and only lights the pilot automatically when a call for heat is made by the remote control.

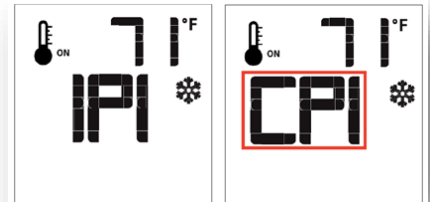
CPI Mode: If set to CPI mode, the pilot will ignite and remain on for a time of 7 days of inactivity before shutting off. Each time the appliance is used the 7-day clock will reset.

4.6.1 Setting to IPI or CPI mode

With the remote control OFF, press the MODE button. You will see either “CPI” or “IPI” displayed on the screen. Press the Up-arrow button to set “CPI” mode and press the DOWN arrow button to set “IPI” mode. Once set to the desired setting, press ON/OFF button to activate the appliance.

Note: The snowflake icon will be visible on the display at all times when in CPI mode.

Recommended: Mendota recommends that **CPI mode is used during the winter months** when the average daily high temperature falls below 50°F. This will keep the appliance chimney heated for proper updraft during burner ignition, and it will also eliminate excessive condensation of exhaust vapors on the door glass. Leaving the appliance in CPI mode will keep the appliance body warm and eliminate cold drafts and heat loss to the cold air that is trapped inside the firebox.



4.7 HOW TO CHANGE FROM CELSIUS TO FAHRENHEIT?

To change between °C to °F, follow these steps:

1. Press the ON/OFF button and turn off the appliance.
2. Simultaneously, press both the mode button and the thermostat button.
3. Look at the LCD display to verify that your desired indicator (°F or °C) is being displayed.

If not, repeat Step 2.

4.8 First Time Lighting Instructions

Warning: If you do not follow these instructions exactly, a fire or explosion may result causing property damage, personal injury, and loss of life.

WHAT TO DO IF YOU SMELL GAS

Do not light any appliance.

Do not touch any light switch

Do not use any phone in your building.

Call your gas supplier from a neighbor's phone.

Follow the provider representative's instructions.

If you cannot reach your gas supplier, call the fire department for assistance.

4.8.1 Safety Information

- This appliance is equipped with an ignition device which automatically lights the pilot. Do not attempt to light pilot by hand.
- **Before operating**, smell all around appliance area for gas. Be sure to smell next to the floor because some gas is heavier than air and will settle on the floor.
- Toggle Master Switch to **ON**. Remote control will not communicate to receiver unless the Master Switch is **ON**.
- Use only the supplied remote control to light the pilot. This valve will not operate if the pilot is not lit and stable.
- Do not use this appliance if any part has been underwater. Immediately call a qualified service technician to inspect and replace any component which has been under water. Attempted operation may result in fire or explosion resulting in property damage, personal injury, and loss of life.

4.9 OPERATING INSTRUCTIONS

1. Read the above safety information carefully before proceeding.
2. Do not attempt to light the pilot by hand; the door must remain on this unit during pilot ignition, except for the "First Time Lighting".
3. Press the ON/OFF button on the remote control to begin the ignition sequence.
4. The appliance will emit an audible beep then the igniter will begin to spark. After the pilot lights and is established, the valve will automatically open, and the burner will light. The burner will initially light to full flame. Adjust it to an appealing setting with the remote. See Remote Operating Instructions in Operating Instructions Manual.
Warning: If the pilot fails to light, the system will "lockout". Press ON/OFF button on remote control to Turn Off the system. Allow five minutes for any gas in the unit to dissipate before attempting to re-light the pilot.
5. Press ON/OFF button on remote control again to start ignition sequence.
6. If the appliance will not operate, follow the instructions "To Turn off Gas to Appliance" below and call your service technician or gas supplier.

4.10 TO TURN OFF GAS TO APPLIANCE

1. Press the ON/OFF button on the remote control.
2. Turn off CPI Pilot Mode from remote control.
3. Turn off the internal manual shutoff valve in the appliance. See 3.5.6 Factory Installed Manual Gas Shutoff Valve.
4. Turn OFF the external manual shutoff valve if was required and supplied by installer and mounted adjacent to appliance.
5. Turn OFF all electric power to the appliance if service is to be performed.

4.11 FREQUENTLY ASKED QUESTIONS

4.11.1 What to do if I smell gas?

If you smell gas:


- Do not light any appliances.
- Do not touch any light switches.
- Do not use any phone in your building.
- Call your gas supplier from a neighbor's phone.
- Follow the provider representative's instructions.
- If you cannot reach your gas supplier, call the fire department for assistance.

4.11.2 Where can I find the model and serial numbers?

When requesting service, you will be asked to provide the **model number** and **serial number** to your Mendota dealer. This information will expedite the warranty verification process. The Listing Label contains the model number and serial number for your particular appliance.

This is an example of your listing label:

Listing label location: The listing label is located on the inside of the component shroud. The component shroud is secured with magnets to the bottom of the appliance. To remove, firmly pull downward on the component shroud.



MENDOTA
NORTH AMERICA'S LUXURY FREEPLACES

DIRECT VENT GAS FIREPLACE HEATER
HOT TOP USE ONLY DO NOT USE
NE DOTÉ PAS ÊTRE UTILISÉ AVEC UN COMBUSTIBLE SOLIDE
MANUFACTURED BY FARMHOUSE PARTS
JEROMEVILLE, CA 95954 USA
CERTIFIED FOR CANADA MEMBROSULOS POUR LE CANADA

CERTIFIED TO CRITERIA ANSI Z39.21-1970 (CAN) - CSA 2.23-2019/30044 CERTIFIED APPLIANCE
Refer to the Intertek Directory of Building Products (<https://spicdirectory.intertek.com>) for detailed information.
Consultez l'Intertek Directory of Building Products (<https://spicdirectory.intertek.com>) pour des informations détaillées.

WARNING: Improper installation, adjustment, alteration, service or maintenance can cause property damage, personal injury, or loss of life. Refer to the owner's information manual provided with this appliance. Installation and service must be performed by a qualified installer. This vented gas fireplace heater is not for use with air filters. For use only with glass barrier part NO. HA-133-00048. Follow installation instructions.

MISE EN GARDE: Installation, réglage, modification, entretien ou dépannage non appropriés peuvent causer des blessures ou des dommages matériels. Référez-vous au manuel du propriétaire fourni avec cet appareil. Pour assistance ou renseignements complémentaires, veuillez consulter un installateur expérimenté, une agence de dépannage/entretien ou votre compagnon gazier, pour utilisation avec les portes en verre certifiées d'installation. Ne pas opérer avec le verre ébréché, craquelé, brisé. Ce foyer à gaz ventilé ne doit pas être utilisé avec des filtres à air. À utiliser uniquement avec une barrière en verre numéro de pièce HA-133-00048. Suivez les instructions d'installation.

WARNING: do not operate the appliance with glass front removed, cracked or broken. Replacement of the panel(s) should be done by a licensed or qualified service person. For use with glass doors certified with the appliance only.

AVERTISSEMENT: ne pas utiliser l'appareil si le panneau frontal en verre n'est pas en place, est craqué ou brisé. Confiez le remplacement du panneau à un technicien agréé. Seules des portes certifiées pour cet appareil doivent être utilisées.

⚠ DANGER

PROHIBÉ ALLUMER
CAUSE D'INCENDIE
NE PAS TOUCHER
LES PARTIES
CHAUFFÉES
NE PAS TOUCHER
LES PARTIES
CHAUFFÉES
NE PAS TOUCHER
LES PARTIES
CHAUFFÉES
NE PAS TOUCHER
LES PARTIES
CHAUFFÉES

NE PAS TOUCHER
LES PARTIES
CHAUFFÉES
NE PAS TOUCHER
LES PARTIES
CHAUFFÉES
NE PAS TOUCHER
LES PARTIES
CHAUFFÉES
NE PAS TOUCHER
LES PARTIES
CHAUFFÉES

A barrier designed to reduce the risk of burns from the hot electric glass is provided with this appliance and must be installed for the protection of children and other at-risk individuals.
Un pare-chauffe conçu pour réduire le risque de brûlure pour les enfants et autres personnes à risque est fourni avec cet appareil. Ce pare-chauffe doit être installé pour la protection des enfants et des personnes à risque.

This appliance is only for use with the type of gas indicated on the rating plate and may be installed in an aftermarket, permanently located, manufactured home (used only) or mobile home, where not prohibited by local codes. See owner's manual for details. This appliance is not convertible for use with other gases, unless a certified kit is used.
Cet appareil doit être utilisé uniquement avec le type de gaz indiqué sur la plaque signalétique. Cet appareil peut être installé dans une maison préfabriquée ou mobile (é.é. Seulement) installée à demeure si les règlements locaux le permettent. Voir la notice de l'utilisateur pour plus de renseignements. Cet appareil ne peut pas être utilisé avec d'autres gaz sauf si une trousse de conversion certifiée est fournie.

Unit to floor	0 IN.	Comer install unit to combustibles	5 IN.
Unit to enclosure sidewall	16 IN.	Vent pipe top to combustibles	3 IN.
Unit to enclosure back wall	3 IN.	Vent pipe sides to combustibles	1 IN.
Unit top to enclosure ceiling	37 IN.	Vent pipe bottom to combustibles	1 IN.
Unit floor to room ceiling	66 IN.		

Distance entre l'unité et le sol 0mm
Distance entre l'unité et le panel latéral de l'enclosure 406mm
Distance entre l'unité et le panel arrière de l'enclosure 76mm
Distance entre le haut de l'unité et le plafond de l'enclosure 945mm
Distance entre le haut de l'unité et le plafond de la pièce 1,676mm
Distance entre le bas de l'unité et le plafond de la pièce 1,676mm
Distance entre l'unité installée dans un coin et les matériaux combustibles 127mm
Distance entre le haut du tuyau de ventilation et les matériaux combustibles 76mm
Distance entre le haut de l'unité et le plafond de l'enclosure 945mm
Distance entre le bas du tuyau de ventilation et les matériaux combustibles 25mm

Caution: hot while in operation. Do not touch. Keep children, clothing, furniture, and flammable liquids or vapors away. Keep burner and control compartment clean. See installation and operating instructions accompanying appliance.
Attention: l'appareil est chaud lorsqu'il fonctionne. Ne pas toucher l'appareil. Surveiller les enfants. Garder les vêtements, les meubles, l'essence ou autres liquides à vapor inflammables loin de l'appareil. S'assurer que le brûleur et le compartiment des commandes sont propres. Voir les instructions d'installation et d'utilisation qui accompagnent l'appareil.

Electrical rating (courant nominal): 120 volts 60 hertz less than 3.5 amperes

Do not remove or cover this label
Veuillez a ne jamais enlever ni dissimuler cette étiquette 65-01-01472

MODEL: 360 FireIn **SN: 5550-**

Connect wires in junction box on the right side of the fireplace to house power using the supplied wire nuts.
Rejoindre les fils dans la boîte de jonction située sur le côté droit de la cheminée à l'alimentation électrique de la maison à l'aide des connecteurs de fils fournis.
The appliance must be electrically connected and grounded in accordance with local codes or, in the absence of local codes, with the current NFPA National Electrical Code or its Canadian equivalent.
L'appareil doit être raccordé électriquement et mis à la terre conformément aux réglementations locales ou, en l'absence de réglementations locales, conformément à la norme NFPA 70 (National Electrical Code) ou à la norme CSA C22.1 (Code canadien de l'électricité en vigueur).
Etiqueter tous les fils avant de les débrancher lors de l'entretien des commandes. Des erreurs de câblage peuvent entraîner un fonctionnement incorrect et dangereux. Vérifiez le bon fonctionnement après l'entretien.

Input rating (btu/hr) 0-2000FT (0-610M)	Natural gas (gaz naturel)	Lp gas liquidified (GPL)
Min. Input rating (btu/hr) 0-2000FT (0-610M)	35,500	35,500
Office 0-2000FT (0-610M)	9,300	11,300
Office 2000-3000FT (610-1370M)	L-451, R-452, Pan-450	L-460, R-461, Pan-458
Input rating (btu/hr) 2000-5000FT (610-1370M)	35,500	35,500
Maximum output (btu/hr)	25,000	25,000
Manifold pressure (IN. W.C./Kpa)	3.5 (0.87)	10.0 (2.5)
Manifold pressure, low (IN. W.C./Kpa)	1.6 (0.4)	6.4 (1.29)
Minimum inlet pressure (IN. W.C./Kpa)	5.0 (1.24)	11.0 (2.74)

This appliance is only for use with the type of gas indicated on the rating plate and may be installed in an aftermarket, permanently located, manufactured home (used only) or mobile home, where not prohibited by local codes. See owner's manual for details. This appliance is not convertible for use with other gases, unless a certified kit is used.
Cet appareil doit être utilisé uniquement avec le type de gaz indiqué sur la plaque signalétique. Cet appareil peut être installé dans une maison préfabriquée ou mobile (é.é. Seulement) installée à demeure si les règlements locaux le permettent. Voir la notice de l'utilisateur pour plus de renseignements. Cet appareil ne peut pas être utilisé avec d'autres gaz sauf si une trousse de conversion certifiée est fournie.

Unit to floor	0 IN.	Comer install unit to combustibles	5 IN.
Unit to enclosure sidewall	16 IN.	Vent pipe top to combustibles	3 IN.
Unit to enclosure back wall	3 IN.	Vent pipe sides to combustibles	1 IN.
Unit top to enclosure ceiling	37 IN.	Vent pipe bottom to combustibles	1 IN.
Unit floor to room ceiling	66 IN.		

Distance entre l'unité et le sol 0mm
Distance entre l'unité et le panel latéral de l'enclosure 406mm
Distance entre l'unité et le panel arrière de l'enclosure 76mm
Distance entre le haut de l'unité et le plafond de l'enclosure 945mm
Distance entre le haut de l'unité et le plafond de la pièce 1,676mm
Distance entre le bas de l'unité et le plafond de la pièce 1,676mm
Distance entre l'unité installée dans un coin et les matériaux combustibles 127mm
Distance entre le haut du tuyau de ventilation et les matériaux combustibles 76mm
Distance entre le haut de l'unité et le plafond de l'enclosure 945mm
Distance entre le bas du tuyau de ventilation et les matériaux combustibles 25mm

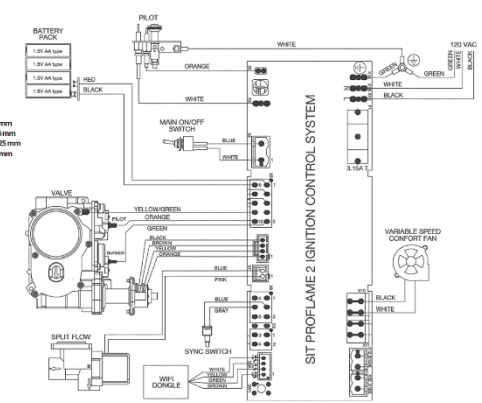
Caution: hot while in operation. Do not touch. Keep children, clothing, furniture, and flammable liquids or vapors away. Keep burner and control compartment clean. See installation and operating instructions accompanying appliance.
Attention: l'appareil est chaud lorsqu'il fonctionne. Ne pas toucher l'appareil. Surveiller les enfants. Garder les vêtements, les meubles, l'essence ou autres liquides à vapor inflammables loin de l'appareil. S'assurer que le brûleur et le compartiment des commandes sont propres. Voir les instructions d'installation et d'utilisation qui accompagnent l'appareil.

Electrical rating (courant nominal): 120 volts 60 hertz less than 3.5 amperes

Do not remove or cover this label
Veuillez a ne jamais enlever ni dissimuler cette étiquette 65-01-01472

MODEL: 360 FireIn **SN: 5550-**

Connect wires in junction box on the right side of the fireplace to house power using the supplied wire nuts.
Rejoindre les fils dans la boîte de jonction située sur le côté droit de la cheminée à l'alimentation électrique de la maison à l'aide des connecteurs de fils fournis.
The appliance must be electrically connected and grounded in accordance with local codes or, in the absence of local codes, with the current NFPA National Electrical Code or its Canadian equivalent.
L'appareil doit être raccordé électriquement et mis à la terre conformément aux réglementations locales ou, en l'absence de réglementations locales, conformément à la norme NFPA 70 (National Electrical Code) ou à la norme CSA C22.1 (Code canadien de l'électricité en vigueur).
Etiqueter tous les fils avant de les débrancher lors de l'entretien des commandes. Des erreurs de câblage peuvent entraîner un fonctionnement incorrect et dangereux. Vérifiez le bon fonctionnement après l'entretien.



4.11.3 Can I use my Appliance during power outages?

This electronic ignition system uses the supplied 110VAC power when it is available for all functions of this system. If you experience a power outage, plug in the battery pack (6V DC maximum, supplied with this appliance) to the appliance backup power inlet port.

During the power outage, the appliance's burner will function as well as the flame height adjustment. The blowers which are dependent on 110VAC power, will not function.

Your installer should demonstrate the backup DC power pack during power outages. Be sure to retain the DC battery pack and the connecting harness in a safe and secure place for use during power outages.

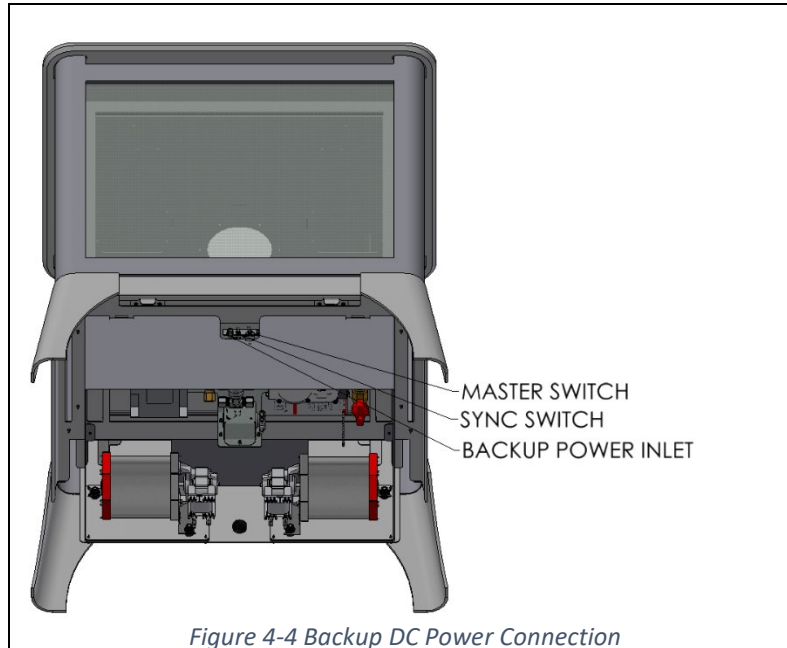


Figure 4-4 Backup DC Power Connection

4.11.4 What maintenance is required?

4.11.4.1 Required Annual Maintenance

The following procedures must be performed each year by a qualified installer, service agency or the gas supplier.

Note: Any adjustments to the burner, pilot, or logs must be made by a qualified installer, service agency or the gas supplier.

Recommended steps for yearly maintenance:

1. Clean all lint and dust build-up around the control. Inspect the condition of any wiring under the burner for melting or damage.
2. Clean pilot light flame sensor rod and sparker rod using emery cloth. Vacuum clean pilot light assembly.
3. Visual check of pilot flames is required. Pilot flame must overlap flame sensor and burner ignition ports always. Especially for LP gas applications, always verify visible pilot flame length is at least 1" long.
4. Vacuum all burner ports. Be sure the burner ports are "open".
5. Visual check of main burner's rear and front flames is required.
6. Remove logs and coals and clean away any foreign matter (lint, carbon, etc.) on the burner and logs.
7. Clean under side of the logs for any carbon deposits. Note: Logs should be visually checked for carbon buildup. If carbon deposits are visible on logs, the unit should be turned off and a qualified installer, service agency or the gas supplier contacted. Be sure logs are re-installed per instructions.
8. Check the condition of glass door gasket, gasket must seal tightly over firebox. Inspect gaskets along top and sides of glass. If gasket bulb along top edge or side top areas are discolored to a white color appearance (through the whole thickness of the gasket bulb in a 3" to 12" long area) and the gasket adhesive is no longer functional to stick to glass, then replace the gasket.
9. Visually inspect the vent terminal (vent cap) for leaves, twigs and other debris accumulation. Clean if required.
10. Clean door glass.
11. Clean enamel firebox lining if one is installed.

4.11.4.2 Periodic Inspection

Follow these steps for periodic inspections:

1. Have a qualified agency check to verify that the vent system and vent cap are open and free of blockage.
2. Before re-installing glass, have qualified service person check the operation of the pilot and cycle the burner per lighting instructions. Be sure all items in lighting and installation checklists are completed.
3. Periodic visual check of pilot flames is required. Pilot flame must overlap flame sensor and burner ignition ports always. Especially for LP gas applications, always verify visible pilot flame length is at least 1" long.
4. Periodic visual check of the main burner's rear and front flames is required.

4.11.5 How do I clean the viewing glass?

The viewing glass should be cleaned periodically. Exterior glass surface may be cleaned with cleaner as desired. To clean interior glass surface, use Kel Kem Polish Plus (part # 65-06-00455) or a comparable product. **Caution: Do not** use oven cleaner to clean the glass. **Caution: Do not** use ammonia-based cleaners to clean the glass. **Clean the glass only when it has cooled to room temperature.**

Additives that are put in gas (both natural and propane) to make it smell can be harmful to glass and can leave a white film deposit on the glass. This deposit can be removed, if cleaned in a timely manner, with cleaners such as KEL KEM "Polish Plus" (part # 65-06-00455) or comparable product (contact your dealer).

4.11.6 Is my flame performance correct?

Your appliance has air shutters, dampers, coals, and embers that can be adjusted depending on your fuel and venting configuration. These adjustments should be made by a qualified technician to achieve the best flame performance. Contact your installer or Mendota dealer if you feel your appliance is not burning correctly. Improper setup and adjustment is not covered under warranty.

4.11.7 What should I do if my appliance is sooting?

Sooting is caused by improper installation or air shutter operation. However, some small areas of soot deposits on log surfaces are deemed acceptable. If you observe large soot areas (larger than 1"x1") on log surfaces or signs of sooting on the door glass (usually a thin black film on the appliance viewing glass or on the outside of the home around the vent cap), the unit must be immediately turned off and the local Mendota dealer promptly informed. Mendota dealers will correct "sooting" problems, but Mendota and their dealers are not responsible for damage caused by excessive sooting that has not been immediately brought to their attention. Troubleshooting soot:

Issue:	Possible Causes:	Corrective Action:
Thin black coating (soot) forms on viewing glass.	A. Burner Air Shutter closed too much. B. Exhaust Damper is closed too much. C. Improper log and/or ember placement D. Glass door seal is compromised. E. Incorrect gas pressure or burner orifice size.	Open air shutter on burner fully. Check exhaust damper position. It may be closed too far. Open exhaust damper. Check glass gasket for proper seal. Corners of glass gaskets cannot be bulging out. If glass gasket along top edge in the middle is white in color across entire thickness of gasket bulb and gasket adhesive is not functional, replace glass gasket. If sooting continues, shut off unit and call Mendota service person. Have service person check for proper Orifice Sizes and correct gas outlet pressure (3.5" W.C. Nat. Gas; 10" W.C. LP Gas). NOTE: To clean glass - remove glass and wipe glass with cloth or paper towel.

4.11.8 How do I change from Celsius to Fahrenheit?

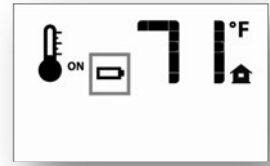
To change between °C to °F, follow these steps:

1. Press the ON/OFF button and turn off the appliance.
2. Simultaneously, press both the mode button and the thermostat button.
3. Look at the LCD display to verify that your desired indicator (°F or °C) is being displayed.

If not, repeat Step 2.

4.11.9 When do I change batteries in my remote?

When the remote-control batteries are low, a battery icon will appear on the LCD display of the remote control before all battery power is lost. When the batteries are replaced, this icon will disappear.



4.11.10 How do I set the child-lock mode?

To prevent unsupervised children from operating the appliance, a child-lock function is provided with this remote-control system.

To activate the child-lock function: Simultaneously press the "MODE button" and the "UP button".

To deactivate the child-lock function: Simultaneously press the "MODE button" and the "UP button".

During the child-lock mode, none of the remote-control buttons will function. You must deactivate the child-lock function before you can use the remote control.



4.11.11 Thermostat icon disappeared from my remote.

When reinstalling batteries, the thermostat button may have been pressed. To make your thermostat icon reappear, follow these steps:

1. Remove one battery.
2. Press and hold the thermostat button on the remote.
3. Reinstall the battery while holding the thermostat button down.
4. If you see "set", the thermostat button is now enabled.
5. If you see "clear", the thermostat button is disabled.
6. Repeat this procedure if you did not see "set" or "clear" to add/remove the thermostat option.

4.11.12 Why won't my appliance turn on?

If your remote control is working, but your appliance won't turn on, your appliance may be in "lockout" mode.

How to reset a lockout:

1. Turn off remote.
2. Turn on remote and wait two seconds.
3. Turn off remote and wait two seconds.
4. Turn on remote and wait two seconds.
5. Turn off remote.

This should clear the lockout mode. Turn on the remote and start the appliance.

Ensure the master switch is in the run/on position.

After completing these steps, contact your Mendota dealer if appliance won't turn on.

4.11.13 What happens when I first light my appliance?

When you first light your appliance, the initial curing phase is initiated. During the initial curing phase, a small amount of smoke and odor will be emitted. This is normal. To complete the curing process, run your appliance, on high fire, for two hours with the fans on level 3. Open doors and windows to dissipate any odor. Turn your appliance off. After it has cooled, run it again, on high fire, with the blowers off until no smoking or odor remains. Refer to [Chapter 3.2.1 Mendota Appliance Curing Instructions](#) for more information.

5 MAINTENANCE INFORMATION

5.1 REQUIRED PERIODIC INSPECTIONS

1. Check to verify that the vent system and vent cap are open and free of blockage.
2. Have qualified service person check the operation of the pilot light. Pilot light must light within the first five to eight seconds of ignitor sparks initiation. If it takes more ten seconds to ignite the pilot flame, check pilot spark rod position and ignitor wires for pinched areas or damaged areas.
3. Pilot rectification time must be checked. Pilot flame should rectify the ignition system within five seconds of pilot flame ignition and sparking at pilot must stop with five seconds. If pilot flame ignites but sparking continues at pilot hood after five seconds, it indicates that pilot flame sensor is dirty. Clean pilot flame sensor using emery cloth and retry. If problem persists, check flame sensor lead wire for damage or grounding problems and correct.
4. Periodic visual check of pilot flames is required. Pilot Flame must overlap Flame Sensor and burner ignition ports always. Especially for LPG applications, always verify visible pilot flame length is at least 1" long, minimum.
5. Cycle the burners to make certain burner ignition is prompt and flame propagation along burner length is quick and smooth. If flame propagation is delayed, remove obstructing debris, vacuum burner ports and retry.
6. Periodic visual check of rear and front burner flames pattern is required.

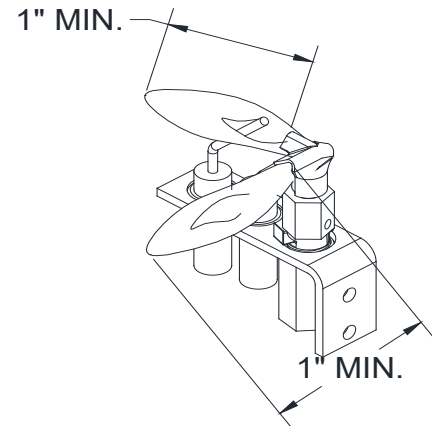


Figure 5-1 Minimum Pilot Flame Length

5.2 CLEANING VIEWING GLASS

WARNING: Do not clean when glass is hot.

The viewing glass should be cleaned periodically. Exterior glass surface may be cleaned with cleaner as desired. To clean Interior glass surface, remove glass frame assembly. [See 3.9 To Remove Door](#). Use Kel Kem "polish plus" (part # 65-06-00455) or comparable product to clean glass interior surface. Do not use oven cleaner or abrasive cleaners to clean glass.

5.3 REQUIRED ANNUAL MAINTENANCE

See [Chapter 4.11.4 What maintenance is required?](#)

In addition to the "Required Periodic Inspections", the following procedures must be performed each year by a qualified installer, service agency or the gas supplier. Any adjustments to burner, pilot or logs must be done by a qualified installer, service agency, or the gas supplier.

Clean all lint and dust build-up around the control and blowers. Inspect the condition of any wiring under the burner for melting or damage. Clean flame sensor rod/hook using emery cloth. Vacuum all burner ports and pilot assembly.

Remove logs & coals and clean away any foreign matter (lint, carbon, etc.) on the burner and logs. Be sure the burner ports are "open". Clean the pilot and under side of the logs for any carbon deposits.

NOTE: Logs should be visually checked for carbon "build-up". If heavy carbon deposits are visible on logs, unit should be turned off and a qualified installer, service agency, or the gas supplier should be contacted. Be sure logs are re-installed per instructions.

Check glass gasket seal. Visually inspect glass gasket, especially at the corners of the glass piece. Glass gasket is installed as a 4-piece assembly. Check joints between the gasket pieces at the corners. They should butt against each other to create a seal. Gaps between gasket pieces can cause exhaust leaks and lead to acrid smell concerns.

5.4 OVER FIRING OR UNDER FIRING OF BURNER

NEVER "over fire" or "under-fire" units by increasing or decreasing the main orifice sizes or by adjusting gas pressure to increase BTUH above nameplate specifications.

Over firing can cause permanent damage to firebox and deterioration of parts and void the warranty.

Under-firing can potentially cause delayed ignition and lead to property loss and person injury and will void the warranty.

If you are using a "backyard" Natural Gas well as the gas source, you must submit formal gas analysis data sheets to Mendota appliances for review and calculation of proper main burner orifice sizes prior to first firing. It is known that unpurified Natural Gas from "backyard" wells can contain high energy levels causing over firing. Further, unpurified gas can contain high levels of Sulphur and other compounds which can damage the burner materials and the ceramic glass. Use of unpurified gas will void the warranty for this product.

5.5 IGNITION SYSTEM LOCKOUT MODE AND RE-LIGHTING

If ignition system goes into lockout mode, be sure to wait a minimum of five minutes before attempting to re-light. If lockout occurs frequently, contact you Mendota Dealer for diagnosing the problem.

Frequent lockout can be caused by many factors and must be properly diagnosed, and the primary cause identified. It should never be assumed that the ignition control system is faulty without proper diagnosis.

5.6 BURNER FLAME HEIGHTS REFERENCE DIAGRAM

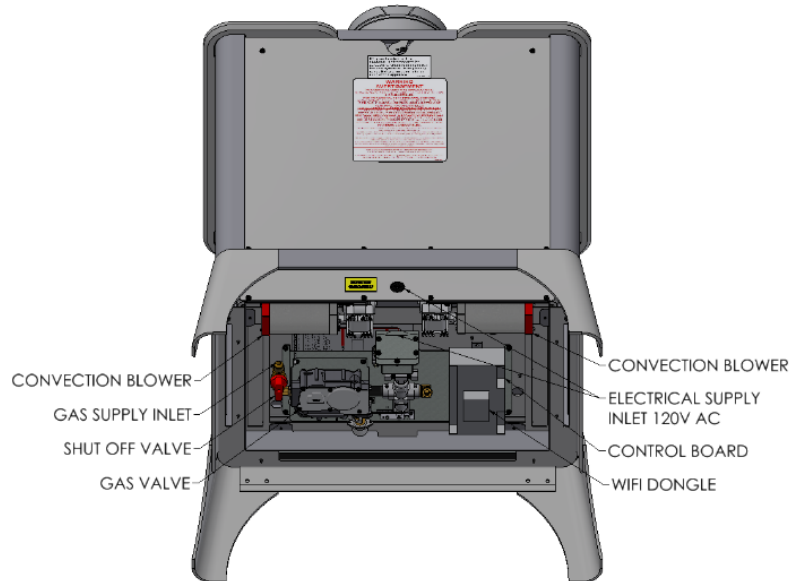


Figure 5-2 Burner Flame Heights: This image provides a visual reference for the burner flames burning at maximum height after the burners have been operating for 30 minutes or longer. A normal rear flame will be 1 to 2 inches above the rear log top edge. This, however, is dependent on the gas type, air shutter opening setting and vent system configuration. Actual flame heights can be slightly higher or lower when compared to this reference image.

5.7 REPLACEMENT PARTS INFORMATION

5.7.1 How to Access Components

The descriptions below show where the main appliances components are located and how to access them for service. The descriptions show how to access the components after the appliance has been installed. All components are also accessible from the outside of the unit before the appliance is installed.



Pilot: The pilot is in the center of the firebox between the burners.

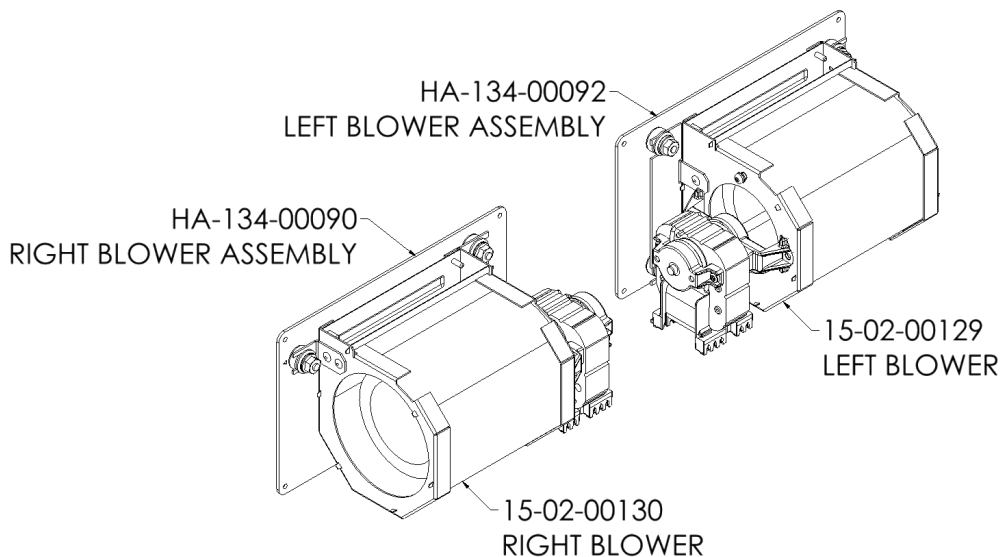
Gas Valve: The main gas valve is located on the underside of the firebox.

Complete Valve Assembly: To make working on components easier, this appliance has been designed with the valve, pilot, orifice brackets, and gas lines as part of one assembly that can be removed from the appliance. To remove the assembly, first remove the left and right tube burners, airbox, and pan burner. In the firebox, remove the screws from the component mounting plate (eight screws). Then remove the entire assembly from the firebox.

Ignition Control Module: The ignition control module is mounted on the right-side floor under a component mounting plate. Access to the ignition control module is available from the bottom. The ignition control module is affixed with Velcro to the floor.

Convection Blowers: The convection blowers are mounted on the firebox wraps rear wall. To access the convection blowers, remove eight screws on the back holding them into place.

5.7.2 Convection Air Blower System Parts



5.7.3 Gas Train Assembly Parts

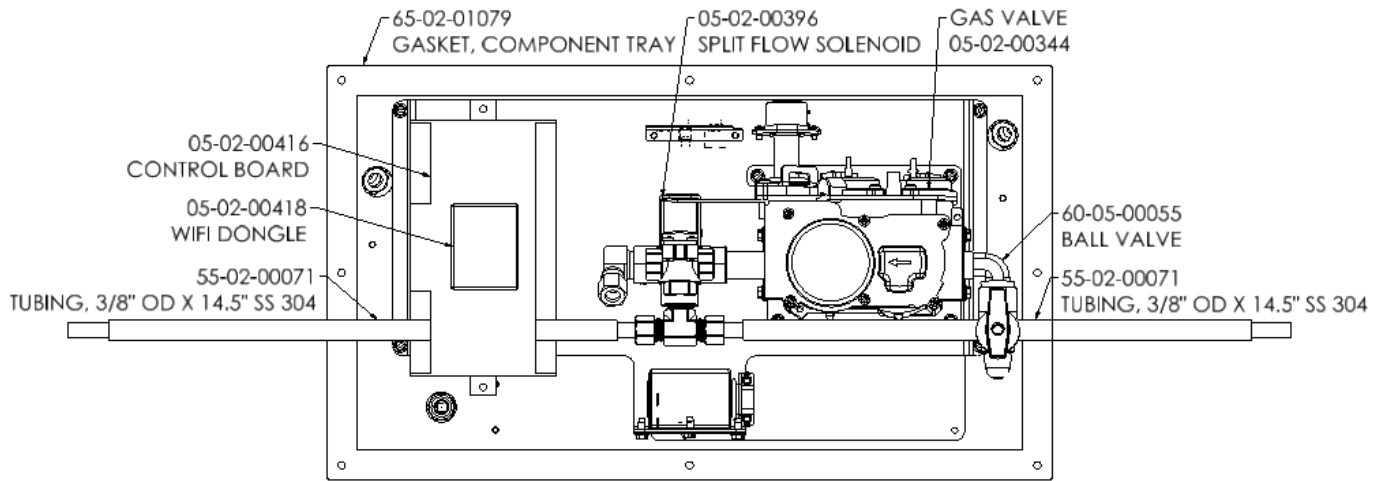
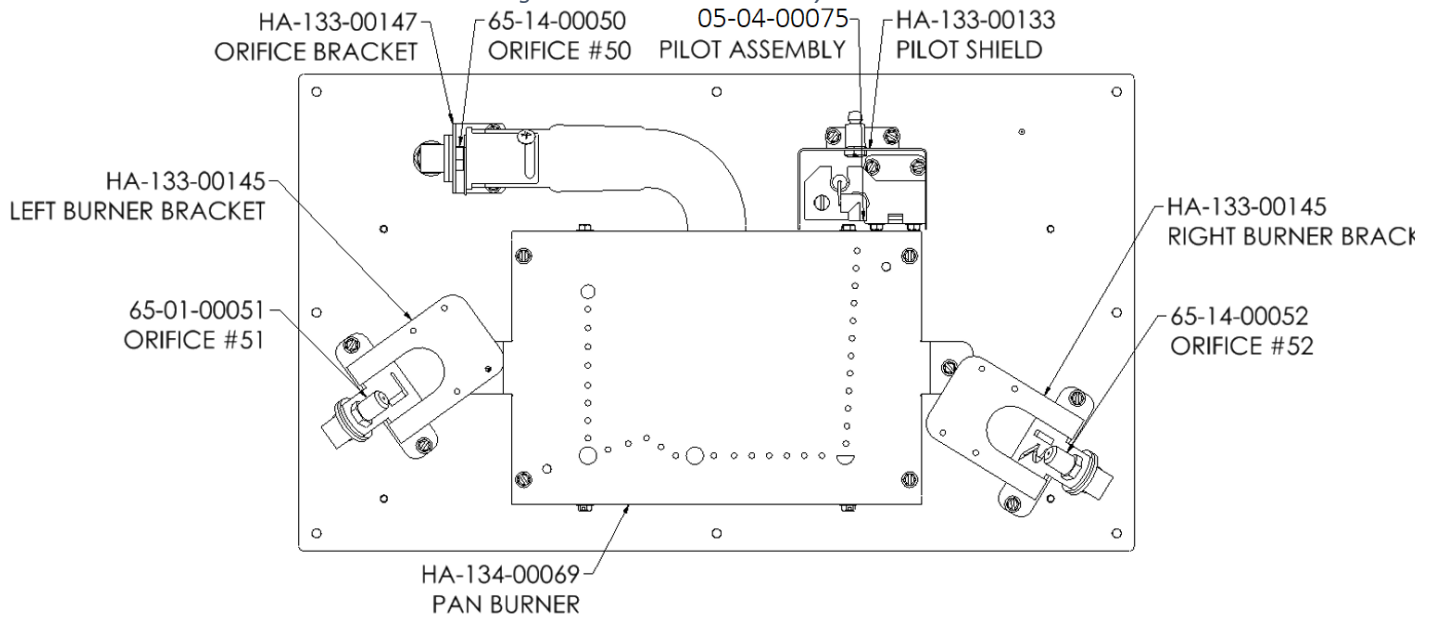
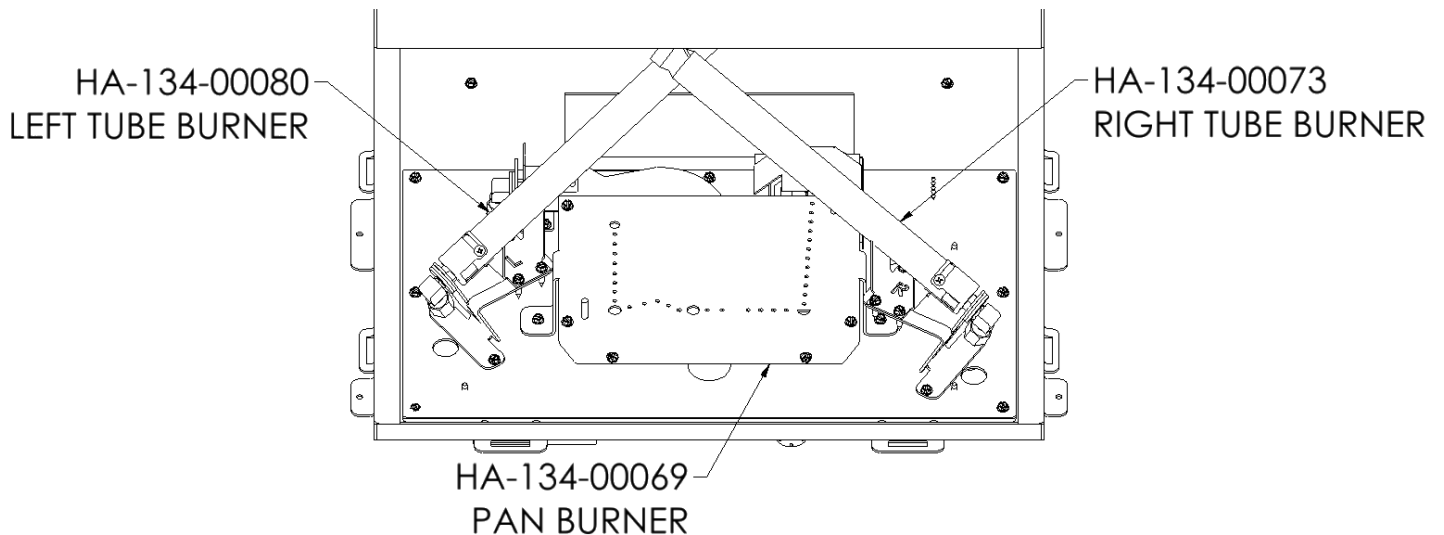


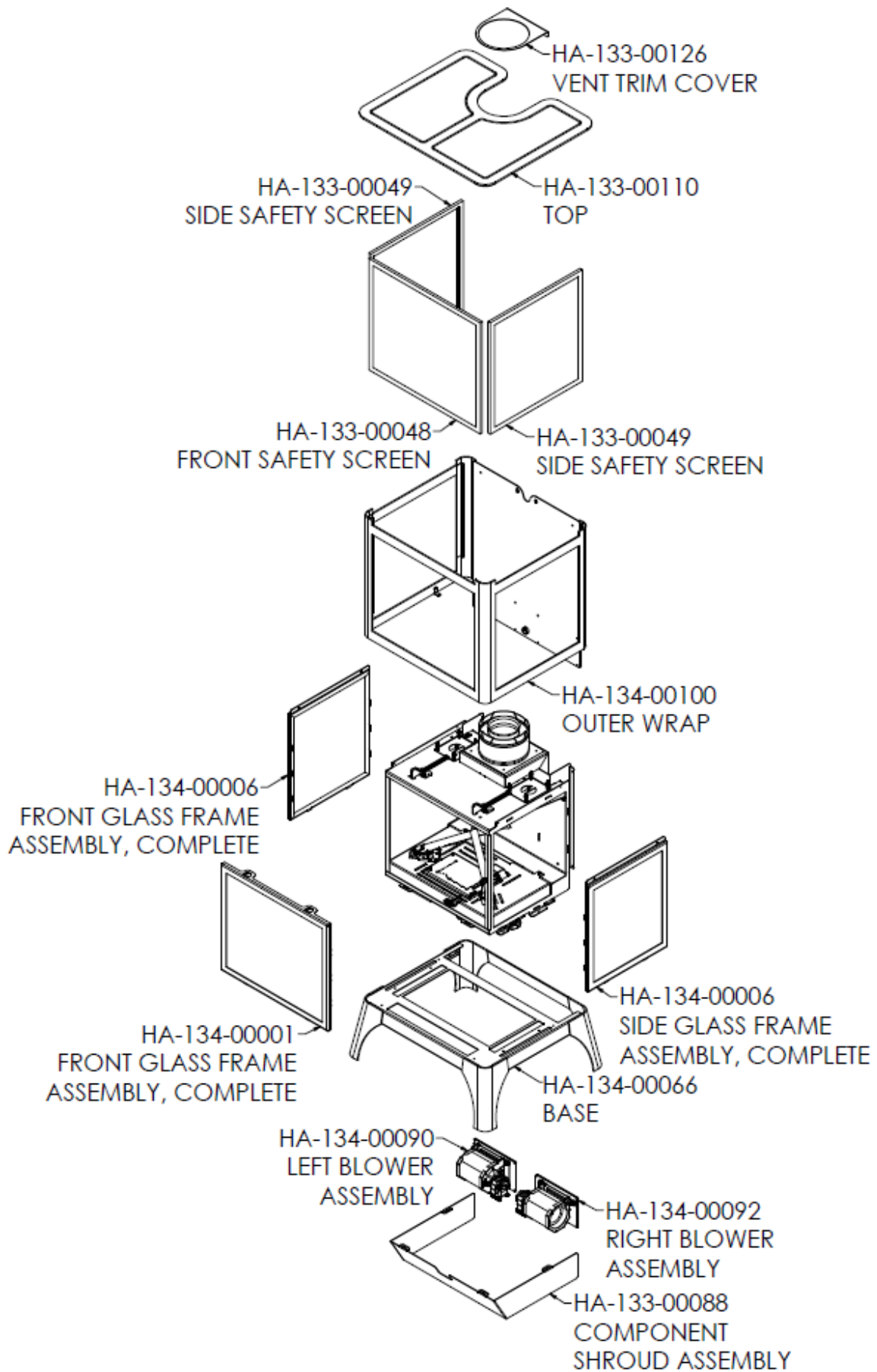
Figure 5-3 Gas Train Assembly Parts



5.7.4 Burners



5.7.5 Exterior



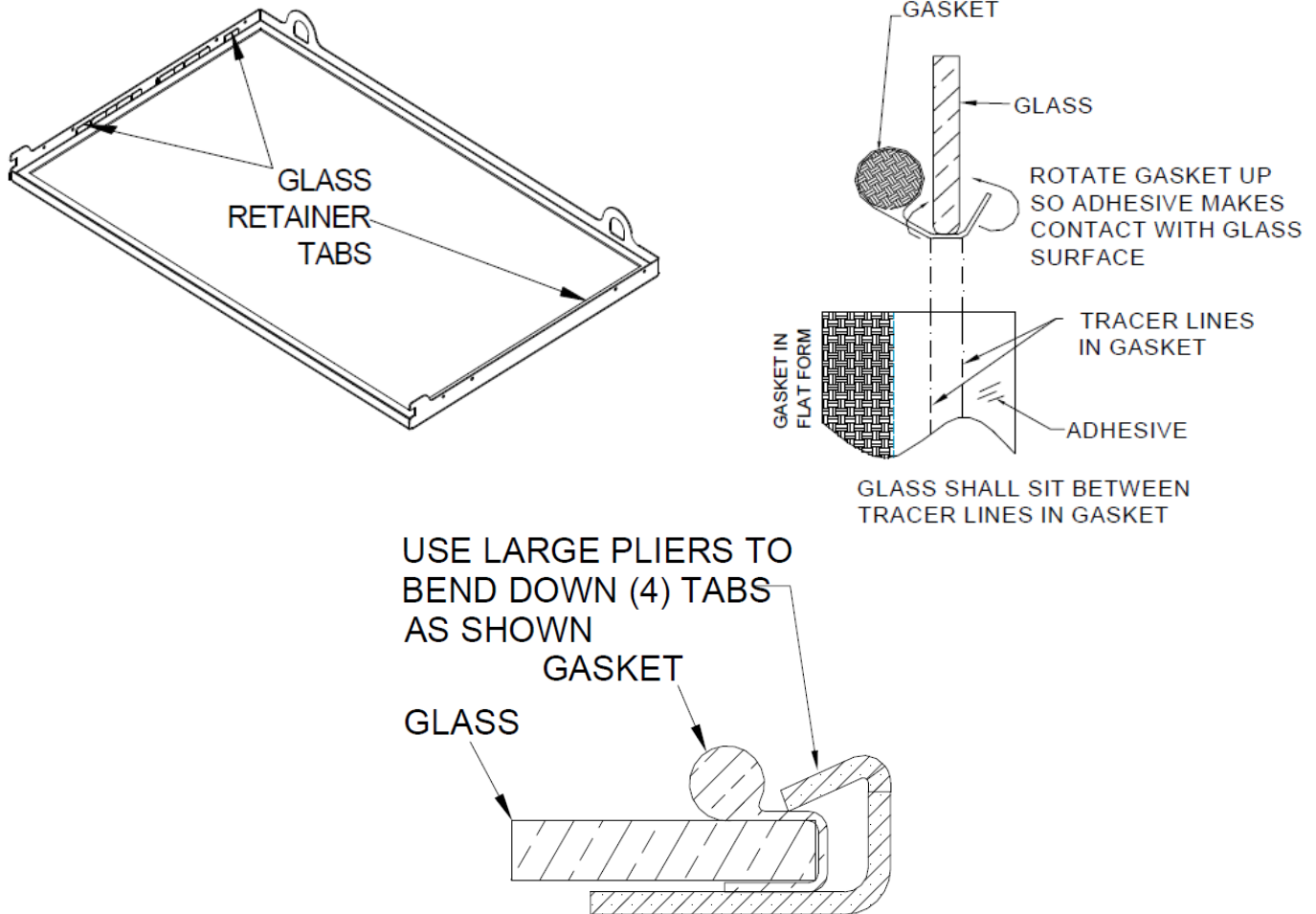
5.7.6 Glass Frame Parts Replacement Procedure

WARNING: do not use substitute materials. All replacement materials must be certified and obtained through Mendota appliances.

TO REPLACE DAMAGED GLASS

1. Bend glass retainer tabs up 90 degrees. Four tabs hold down the glass and gasket assembly.
2. Remove the damaged glass and gasket material. Clean the inner surface of the glass frame.
3. Assemble new gasket on glass edge starting with the bottom left corner. The adhesive on the gasket should contact the glass surface. Use tracer lines in gasket to determine where the glass should sit on the gasket surface.
4. Place glass and gasket assembly in glass frame and carefully bend down glass retainer tabs. Extra glass retainer tabs are provided should any originally used tabs break off.

The glass frame assembly and its individual components are available through Johnson Gas Appliance Company. Contact your dealer for more detailed ordering information.



GLASS FRAME ASSEMBLY REPLACEMENT PARTS LIST			
ITEM	PART NUMBER	QUANTITY	DESCRIPTION
1	HA-134-00062	1	FRONT FRAME, WELDMENT, GLASS, STOVE
2	HA-134-00063	2	SIDE FRAME, WELDMENT, GLASS, STOVE
3	65-02-00158	140"	GASKET, TADPOLE, 5/8" BULB, 3/4" TAIL
4	HA-133-00001	1	FRONT GLASS, CERAMIC, STOVE
5	HA-133-00012	2	SIDE GLASS, CERAMIC, STOVE

6 WARRANTY QUALIFICATION AND SERVICE

The following information verifies proper installation and operation of your Mendota fireplace. All installation and operating instructions must be carefully followed. This Mendota fireplace must be installed according to all manufacturers' instructions as per the manual. Only dealer sanctioned and approved installers can install and/or service Mendota hearth appliances and parts. Repairs conducted by an unqualified technician will void this warranty. Proper permits and inspections are required to validate any future warranty claims. Mendota retail partners are 100% responsible for the installation and service of any Mendota appliance, or part thereof, that they sell within Mendota polices. The Mendota retail partners must also facilitate the execution of any warranty related items for the Mendota appliances and parts that they sell, in perpetuity.

6.1 FINAL INSTALLATION AND HOMEOWNER CHECKLIST

- INSERTS ONLY: The existing woodburning fireplace and its chimney system are structurally sound, professionally cleaned, intact and remain woodburning capable (inserts only).
- INSERTS ONLY: If fireplace was re-faced, does the re-facing conform to the guidelines found in this manual regarding the re-facing of woodburning units?
- INSERTS ONLY: Woodburning chimney interior and chimney top cap are inspected and repaired or replaced if damaged.
- No offensive odor emitting materials exist around appliance such as low temp rated adhesives, plastics or others.
- All surrounding finishing materials are conforming to manual requirements.
- Electrical power supply system conforms to NEC and local electrical codes.
- Gas supply must conform to national and local building codes.
- All gas line joints were checked for leaks using gas leak detector solution or a gas sniffer, or were pressure tested if required by local building code.
- All internal gas plumbing joints were checked for leaks using gas leak detector solution or a gas sniffer.
- Glass gasket was inspected and verified that it is sealing properly.
- Gas supply line was bled of air and pilot flame was ignited.
- Pilot flame overlaps burner flame propagation ports properly.
- Burners light and flames travel promptly along entire length of burner.
- Logs/media are installed properly per installation instructions.
- Burner(s) air shutter is adjusted properly. Shutter opening set properly per installation manual.
- Burner flames are "stable" and are not "lifting" off burner.
- Inform owner that an initial curing step is required. Read and follow Mendota Fireplace and Insert Curing Instructions (found on unit and in owner's manual). Smoke will emit during initial curing step.
- Provide owner with contents of owner's manual packet.
 - Owner's manuals, remote control transmitter, glass latch tool, backup battery system, etc.
- Train owner how to remove and reinstall decorative front.
- Train owner how to remove and properly reinstall glass door.
- Inform owner about the glass safety screen barrier requirement.
- Educate owner on remote control functions (ProFlame units only)
 - How to put fireplace in CPI & back into IPI. CPI is suggested during cold season for ease of operation of fireplace
 - How to light the pilot light.
 - How to light the main burners and how to adjust the flame level.
 - How to turn the fan on and adjust fan speed.
 - How to turn on accent light and adjust brightness of light.
 - How to turn the rear burner on and off.
 - Explain the 3 thermostatic modes of operations:
 - OFF / Manual operation
 - ON / Fireplace turns ON and OFF to maintain the set temperature.
 - Fan delayed 5 minutes in ON and runs 12 minutes after.
 - SMART / Fireplace adjusts the flame level to maintain the set temperature.
 - Fan delayed 5 minutes in ON and runs 12 minutes after.
- Train owner about lockout mode and how to reset it.
- Train owner how to use backup battery system and operate appliance during power outage.
- Train owner about master switch location and emergency shutoff function.
- Train owner how to operate manual shutoff gas valve using glass latch tool.
- Inform owner that periodic maintenance of this unit is required per manual.

WARNING: MENDOTA GAS FIREPLACES ARE HEAT PRODUCING APPLIANCES. KEEP CHILDREN AND FURNITURE A SAFE DISTANCE AWAY TO PREVENT PROPERTY DAMAGE, PERSONAL INJURY OR LOSS OF LIFE.

I have trained and informed homeowner of all the requirements listed above.

Staff Name _____

Staff Signature Date _____

Homeowner's Name _____

Homeowner's Signature Date _____

6.2 WARRANTY POLICY STATEMENT

Mendota Fireplace, a division of Johnson Gas Appliance Company, extends this limited lifetime warranty to the original purchaser of this appliance provided the product remains in the original place of installation. The items covered by this limited warranty and the period of such coverage is set forth in the table below. Some conditions apply (see below). The policy is not transferable, amendable or negotiable under any circumstances. The warranty starts from the date of invoice from Mendota to the installing dealer and only applies to new units sold through an authorized Mendota dealer. In the case of new construction, warranty coverage begins on the date of certificate of occupancy of the dwelling or six months after invoice of the final sale of the product from the Mendota dealer, whichever occurs earlier. However the warranty coverage shall begin no later than 24 months following the date of product shipment from Mendota, regardless of purchase date.

MENDOTA WARRANTY BENEFITS					
Description	Parts Coverage				Labor Coverage (Years)
	Lifetime	3 years	2 years	90 days	
Firebox and Heat Exchanger	X				5
Stainless Steel Burner Tubes/Ceramic Burners	X				2
All Castings	X				2
Valve Assembly and all gas control components (Pilot Assembly, Orifices, Thermocouple, Thermopile)		X			2
All other Electrical Components (Ignition Control Boards, Wiring, Switches, Blowers, Blower Control Module, Battery Pack)		X			2
Venting/Venting Components		X			1
Glass (Breakage From Thermal Shock)			X		1
Exterior Painted Finishes			X		1
Exterior Plated Finishes			X		1
Brick Panels and Log Sets (coloration failures only)			X		1
All Firebox Media (Glass Beads, Ceramic Stones, Tumbled Marble)			X		1
All hardware			X		1
Mesh/Glass Safety Barriers			X		1
Glass Panels			X		1
Enamel Panels			X		1
Remote Control Systems				X	0
Accent Light Bulbs				X	0

X = Mendota Standard Warranty

****Labor credits do not include travel time/mileage and are covered at a subsidized rate, see #4 below for additional details.**

****Parts credits do not include freight.**

6.2.1 Conditions

1. Warranty protects against defect in manufacture or Mendota factory assembled components only, unless herein specified otherwise. Warranty does not cover water damage or odors caused by water or environmental factors.
2. It remains the full responsibility of the owner to operate this appliance within the guidelines provided in the Installation and Operating Instructions Manual accompanying this appliance. Further, the owner shall bear full responsibility to enforce clearances to combustibles requirements and cautioning others about hot glass surface and hot metal surfaces.
3. Owner by operating this appliance accepts that this is a heat producing appliance which has glass and steel parts that are hot enough to cause severe burns. Owner accepts that this appliance requires close monitoring of children and vulnerable individuals who are in the vicinity of this appliance when it is in operation. Mendota does not assume or accept any liability claims for burns or other physical or material damages resulting from touching hot glass surface and hot metal surfaces that are part of this appliance or other adjacent object such as hearth pads and mantels that may heat up during operation of this appliance.
4. Any part(s) found to be defective during the warranty period as outlined above will be repaired or replaced at Mendota's option through an accredited distributor, dealer or pre-approved and assigned agent provided that the defective part is returned to the distributor, dealer or agent for inspection if requested by Mendota. Alternatively, Mendota may at its own discretion fully discharge all of its obligations under the warranty by refunding the verified purchase price of the product to the original purchaser. The purchase price must be confirmed by the original Bill of Sale.
5. The authorized selling dealer, or an alternative authorized Mendota dealer if pre-approved by Mendota, is responsible for all infield diagnosis and service work related to all warranty claims. Mendota is not responsible for results or costs of workmanship of unauthorized Mendota dealers or agents in the negligence of their service work.
6. At all times Mendota reserves the right to inspect reported complaints on location in the field claimed to be defective prior to processing or authorizing of any claim. Failure to allow this upon request will void the warranty.
7. All warranty claims must be submitted by the dealer servicing the claim, including a copy of the Bill of Sale (proof of purchase by you). All claims must be complete and provide full details as requested by Mendota to receive consideration for evaluation. Incomplete claims may be rejected. Unit must be installed according to all manufacturers' instructions as per the manual by a Mendota authorized dealer, an authorized dealer technician or an authorized dealer service person only.
8. All Local and National required codes must be met.
9. The installer is responsible to ensure the unit is operating as designed at the time of installation.
10. The original purchaser is responsible for annual maintenance of the unit, as outlined in the owner's manual. As outlined below, the warranty may be voided due to problems caused by lack of maintenance.
11. Repair/replacement parts purchased by the consumer from your local Mendota Dealer after the original coverage has expired on the unit will carry a 90-day warranty, valid with a receipt only. Any item shown to be defective will be repaired or replaced at our discretion. No labor coverage is included with these parts. Parts requested to be drop shipped direct to the consumer will nullify this warranty.

6.2.2 Exclusions

1. This limited warranty does not extend to paint, rust or corrosion of any kind due to a lack of maintenance or improper venting, combustion air provision, corrosive chemicals (i.e. chlorine, salt, air, etc.), door or glass gasketing.
2. Discoloration and some minor warping are normal, not a defect and therefore not covered under this warranty. The installer must ensure the unit is burning as per the rating tag at the time of installation. Over-firing (operation above the listed BTU rating of this unit can cause serious damage and will nullify this warranty.
3. Mendota will not cover the cost of the removal or re-installation of hearths, facing, mantels or other components.
4. The first service call is at the expense of the Retailer/Installing Dealer, Labor Credit is NOT allowed for normal dealer services. This includes but is not limited to; flame adjustment, venting, log placement or replacement, pilot adjustment, gas leaks, remote controls, light bulb replacement, multiple trips to diagnose and order parts, or annual maintenance, back-order delays, freight costs, mileage, etc. Claims MUST be submitted within 15 days of service and MUST be accompanied by a copy of the Mendota invoice (for the warranted part) for parts credit or to issue an RMA. All labor rates paid to authorized dealers are subsidized rates. Dealers may charge homeowner for travel and additional time beyond their subsidy.
5. Damages to plated surfaces caused by fingerprints, scratches, melted item or other external sources left on plated surfaces from the use of cleaners other than denatured alcohol is not covered by this warranty. Wipe off any fingerprints prior to using fireplace for the first time to ensure oils from the hands don't etch into plated/finished surface.

6. Mendota is free of liability for any damages caused by the appliance, as well as inconvenience expenses and materials. Incidental or consequential damages are not covered by this warranty.
7. Exclusions to this warranty include: injury, loss of use, damage, failure to function due to accident, negligence, misuse, improper installation, alteration of the manufacturer's setting of components, lack of proper and regular maintenance, damage incurred while the appliance is in transit, or by act of God.
8. Malfunction, damage or performance based issues of any and all components as a result of environmental conditions, location, chemical damages, downdrafts, installation error, installation by an unqualified installer, incorrect chimney components (including but not limited to cap size or type), operator error, abuse, misuse, use of improper fuels, lack of regular maintenance and upkeep, acts of God, weather related problems from hurricanes, tornados, earthquakes, floods, lightning strikes/bolts or acts of terrorism or war, which result in malfunction of the appliance are not covered under the terms of this Limited Lifetime Warranty.
9. Mendota has no obligation to enhance or modify any unit once manufactured (i.e. as products evolve, field modifications or upgrades will not be performed on existing appliances).
10. Any unit showing signs of neglect or misuse will not be covered under the terms of this warranty policy and may void this warranty. This includes units with rusted or corroded fireboxes or water damaged units.
11. Units which show evidence of being operated while damaged, or with problems known to the purchaser and causing further damages will void this warranty.
12. Units where the serial no. has been altered, deleted, removed or made illegible will void this warranty.
13. Noises due to minor movement, expansion and contraction of the steel is normal and is not covered under the terms of this warranty.
14. Freight damages for products or parts are not covered under the terms of the warranty. Please refer to our Freight Damage Policy and follow proper procedures at the time of delivery from Mendota. NOTE: all units should be thoroughly inspected at the time of delivery from freight carrier and reported within 48 hours (does not guarantee claim will be paid). Failure to report damages after 48 hours results in automatic claim denial through the freight carrier and dealer/consumer will be responsible for purchasing replacements.
15. Products made or provided by other manufacturers and used in conjunction with the Mendota appliance without prior authorization from Mendota may void this warranty.

6.2.3 Limitations of Liability

The original purchaser's exclusive remedy under this warranty, and Mendota's sole obligation under this warranty, express or implied, in contract or in tort, shall be limited to replacement, repair, or refund, as outlined above. In no event will Mendota be liable under this warranty for any incidental or consequential commercial damages or damages to property. To the extent permitted by applicable law, Mendota makes no express warranties other than the warranty specified herein. The duration of any implied warranty is limited to the duration of the expressed warranty specified above. If implied warranties cannot be disclaimed, then such warranties are limited in duration to the duration of this warranty.

Some U.S. states do not allow limitations on how long an implied warranty lasts or allow exclusion or limitation of incidental or consequential damages, so the above limitations or exclusions may not apply to you. Customers located outside the U.S. should consult their local, provincial or national legal codes for additional terms which may be applicable to this warranty.

6.2.4 How to Obtain Warranty Service

If you discover a problem that you believe to be covered by the warranty, you must report it to your Mendota Dealer within 30 days, with proof of purchase, purchase date, model name and serial number.

Customers should contact the authorized selling dealer to obtain warranty service. In the event the authorized selling dealer is unable to provide warranty service, please contact Mendota by mail at the address listed below. Please include a brief description of the problem and your address, email and telephone contact information. A representative will contact you to make arrangements for an inspection and/or warranty service.

Warrantor:

Johnson Gas Appliance Company
Mendota Fireplace Division
1155 Sherman Rd., Hiawatha, IA 52233

MENDOTA

NORTH AMERICA'S LUXURY FIREPLACE

MENDOTAHEARTH.COM

1155 Sherman Rd, Hiawatha, IA 52233

(800)553-5422